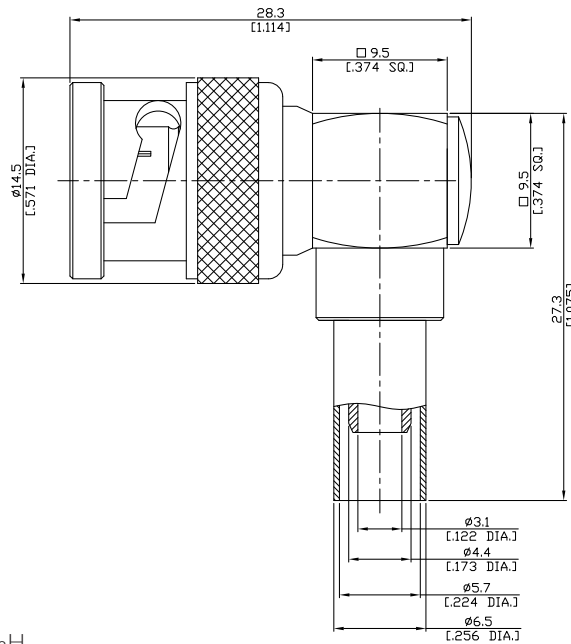


BNC Right Angle Cable Plug

BNC1C59-G142A/133



All dimensions are in mm [inch]

Tolerances according to DIN ISO 2768-mH

Interface

According to IEC 60169-8; MIL-C-39012; MIL-STD-348A/301

Electrical Data

Impedance 50 Ω
 Frequency DC to 4 GHz
 VSWR (Return Loss) ≤ 1.09 (≥ 27.3 dB), DC to 2 GHz
 ≤ 1.22 (≥ 20.1 dB), 2 to 4 GHz
 Insertion Loss ≤ 0.05 x √F (GHz) dB

- Limitations are possible due to the used cable type -

Mechanical Data

Coupling mechanisms Bayonet-lock
 Centre contact Soldered
 Cable entry Crimped

Environmental Data

Temperature range -65°C to +165°C
 RoHS compliant

Material And Plating

Connector parts	Material	Plating
Centre contact	Brass	Gold plating(Nickel underplated)
Body	Brass	Nickel
Insulator	PTFE	
Gasket	Silicone Rubber	
Coupling nut	Brass	Nickel
Crimp ferrules	Brass	Copper-Tin-Zinc Alloy

Suitable Cables

RG 55, RG 142, RG 223, RG 400

Packing

Single or 100