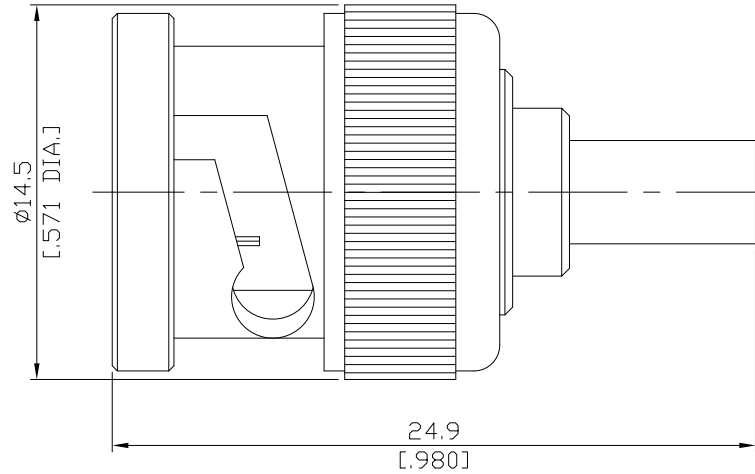


BNC Straight Cable Plug

BNC1C50-R100A/133



All dimensions are in mm [inch]

Tolerances according to DIN ISO 2768-mH

Interface

According to IEC 60169-8; MIL-C-39012; MIL-STD-348A/301

Electrical Data

Impedance 50 Ω
 Frequency DC to 4 GHz
 Frequency range
 Return loss

- Limitations are possible due to the used cable type -

Mechanical Data

Coupling mechanisms Bayonet-lock
 Centre contact Soldered or Crimped
 Cable entry Crimped

Environmental Data

Temperature range -65°C to +165°C
 RoHS compliant

Material And Plating

Connector parts	Material	Plating
Centre contact	Brass	Gold plating(Nickel underplated)
Body	Brass	Nickel
Insulator	PTFE	
Gasket	Silicone Rubber	
Coupling nut	Brass	Nickel
Crimp ferrules	Brass	Nickel

Suitable Cables

LMR 100

Packing

Single or 100