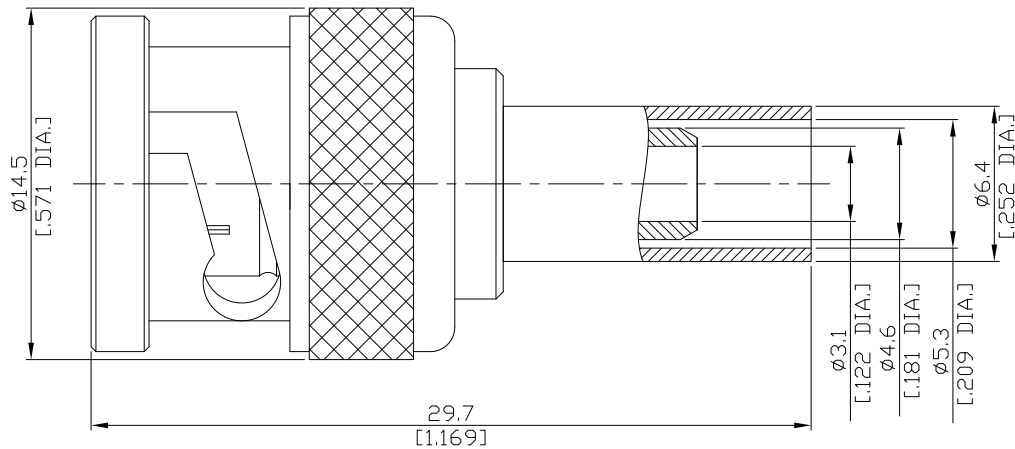


BNC Straight Cable Plug

BNC1C50-G058A/144



All dimensions are in mm [inch]
Tolerances according to DIN ISO 2768-mH

Interface

According to IEC 60169-8; CECC 22120; MIL-C-39012; MIL-STD-348A/301

Electrical Data

Impedance: 50 Ω
Frequency: DC to 4 GHz
VSWR (Return Loss): ≤ 1.22 (≥ 20.1 dB)
Insertion Loss: ≤ 0.05 dB

- Limitations are possible due to the used cable type and manufacturing process -

Mechanical Data

Coupling mechanisms: Bayonet-lock
Centre contact: Soldered or Crimped
Cable entry: Crimped

Environmental Data

Temperature range: -65°C to +165°C
RoHS: compliant

Material And Plating

Connector parts	Material	Plating
Centre contact	Brass	Gold plating(Nickel underplated)
Body	Brass	Copper-Tin-Zinc Alloy
Insulator	PTFE	
Gasket	Silicone Rubber	
Coupling nut	Brass	Copper-Tin-Zinc Alloy
Crimp ferrules	Brass	Copper-Tin-Zinc Alloy

Suitable Cables

RG 58, RG 58A, RG 58C, RG 141, RG 303, BELDEN 7806A, BELDEN 9907, LMR 195

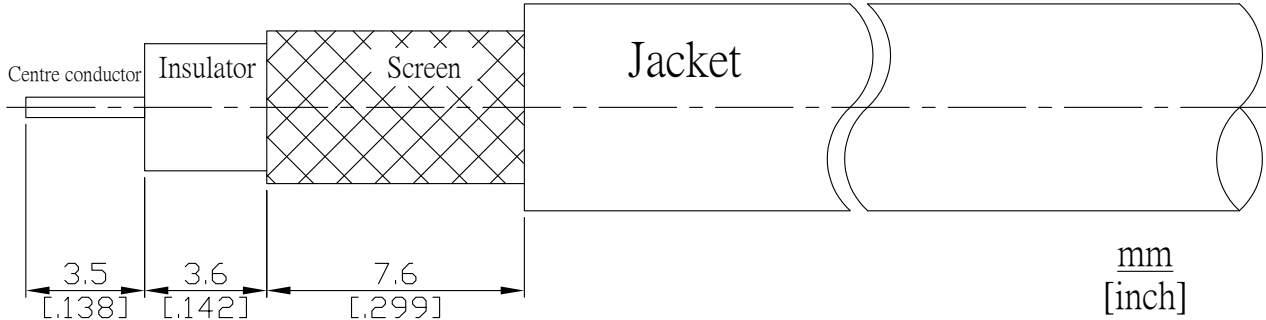
Packing

Single or 100

BNC Straight Cable Plug

BNC1C50-G058A/144

Recommended Cable Stripping Dimensions



Crimp Dimensions [HEX]

Crimp ferrule	5.41 mm [.213 inch]
Centre contact	1.73 mm [.068 inch]