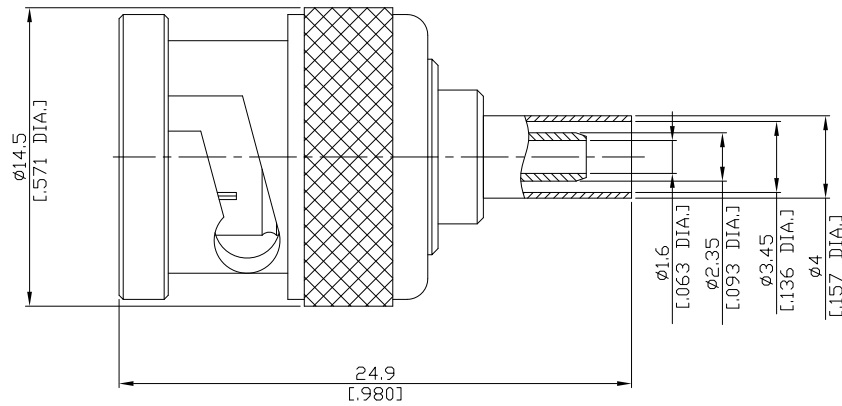


BNC Straight Cable Plug

BNC1C50-D316A/144



All dimensions are in mm [inch]
Tolerances according to DIN ISO 2768-mH

Interface

According to IEC 60169-8; MIL-C-39012; MIL-STD-348A/301

Electrical Data

Impedance 50 Ω
Frequency DC to 6 GHz
VSWR (Return Loss) ≤ 1.09 (≥ 27.3 dB), DC to 2 GHz
≤ 1.12 (≥ 24.9 dB), 2 to 4 GHz
≤ 1.22 (≥ 20.1 dB), 4 to 6 GHz
Insertion Loss ≤ 0.05 x √F (GHz) dB, DC to 6 GHz

- Limitations are possible due to the used cable type -

Mechanical Data

Coupling mechanisms Bayonet-lock
Centre contact Crimped
Cable entry Crimped

Environmental Data

Temperature range -65°C to +165°C
RoHS compliant

Material And Plating

Connector parts	Material	Plating
Centre contact	Brass	Gold plating(Nickel underplated)
Body	Brass	Copper-Tin-Zinc Alloy
Insulator	PTFE	
Gasket	Silicone Rubber	
Coupling nut	Brass	Copper-Tin-Zinc Alloy
Crimp ferrules	Brass	Copper-Tin-Zinc Alloy

Suitable Cables

RG 316-d, RG 188

Packing

Single or 100