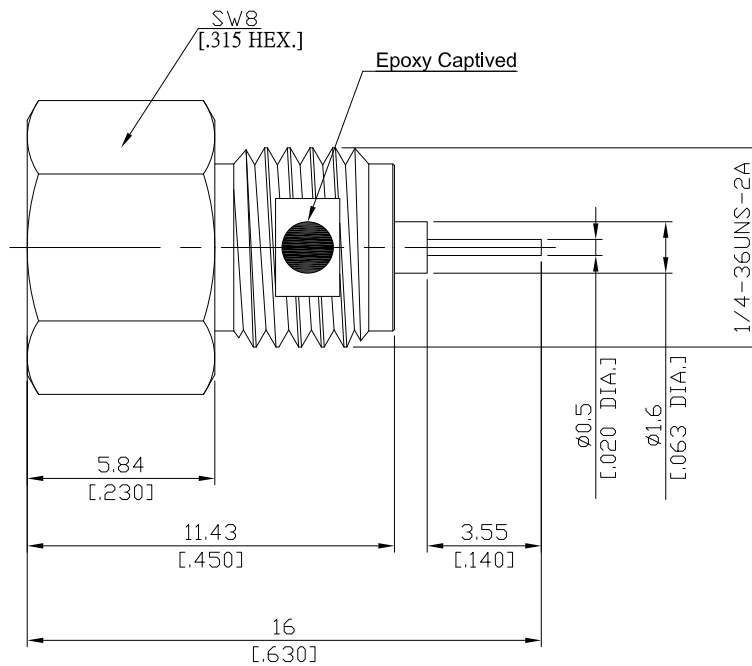


**BMA Straight Bulkhead Receptacle jack
Coaxial End**

BMA2FA50-1600A/9Q



All dimensions are in mm [inch]
Tolerances according to DIN ISO 2768-mH

Interface
According to MIL-STD-348A/321

Electrical Data
Impedance 50 Ω
Frequency DC to 18 GHz
VSWR (Return Loss) ≤ 1.20 (≥ 20.83 dB)
Insertion Loss ≤ 0.07 × √F (GHz) dB

Mechanical Data
Coupling mechanisms Slide-on
Weight 0.0021 kg

Environmental Data
Temperature range -65°C to +125°C
RoHS compliant

Piece Parts	Material	Plating
Centre contact	Beryllium Copper	Gold plating(Nickel underplated)
Body	Stainless Steel	Gold plating(Nickel underplated)
Insulator	PTFE	

Packing
Single or 100

Related Document
Mounting Dimension MD45