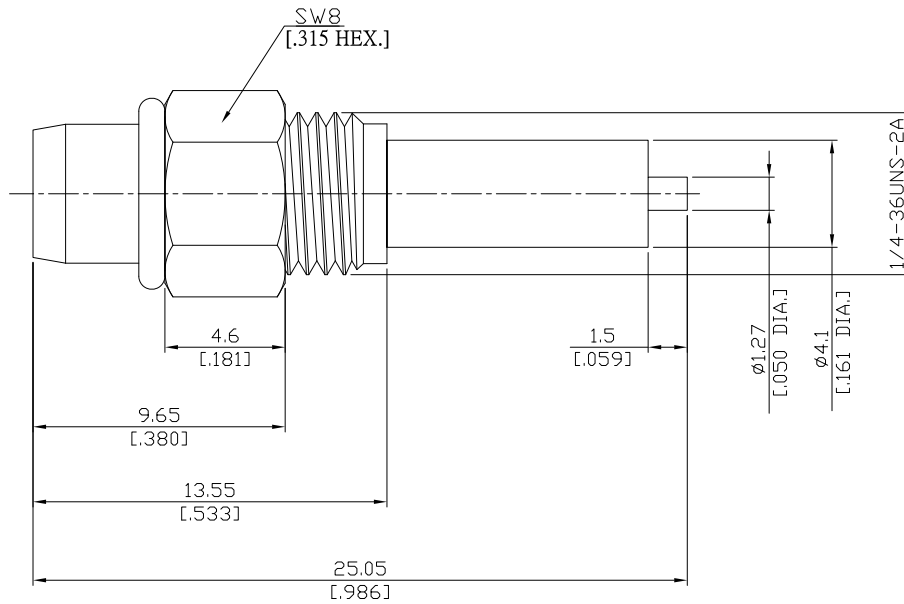


**BMA Straight Bulkhead Receptacle plug
Coaxial End**

BMA1FA50-2505A/9X



All dimensions are in mm [inch]

Tolerances according to DIN ISO 2768-mH

Interface

According to MIL-STD-348A/321

Electrical Data

Impedance 50 Ω
 Frequency DC to 18 GHz
 VSWR (Return Loss) ≤ 1.20 (≥ 20.83 dB)
 Insertion Loss ≤ 0.07 x √F (GHz) dB

Mechanical Data

Coupling mechanisms Slide-on
 Weight 0.0028 kg

Environmental Data

Temperature range -65°C to +125°C
 RoHS compliant

Material And Plating

Piece Parts	Material	Plating
Centre contact	Beryllium Copper	Gold plating(Nickel underplated)
Body	Stainless Steel	Passivated
Insulator	PTFE	
Gasket	Silicone Rubber	

Packing

Single or 100

Related Document

Mounting Dimension MD47