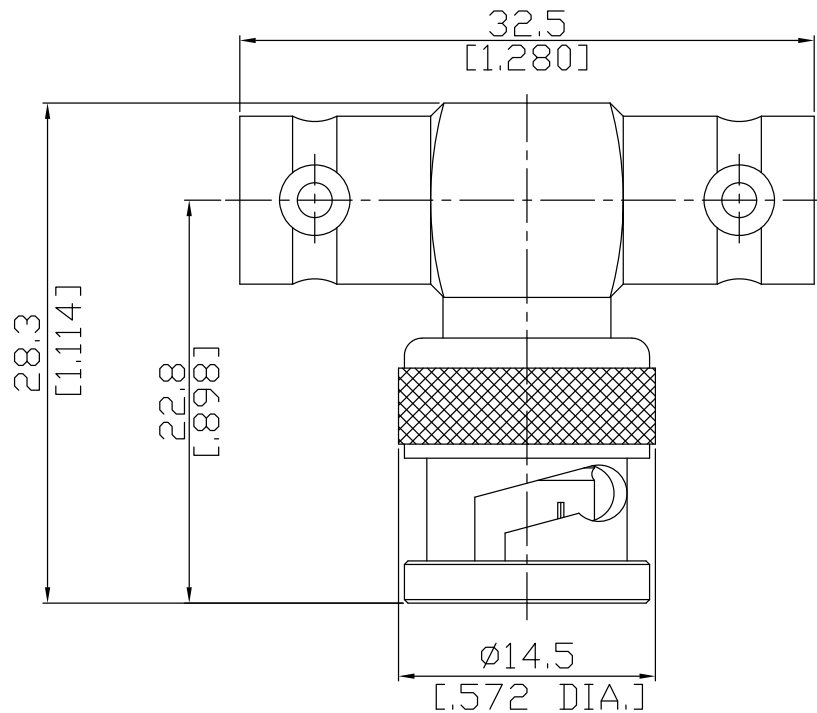


T-Adaptor 1 plug , 2 jacks  
BNC plug (male) / BNC jack (female)

ADT-B2B1B25A/H4-H44-H4



All dimensions are in mm [inch]

Tolerances according to DIN ISO 2768-mH

**Interface**

According to IEC 60169-8; CECC 22120; MIL-C-39012; MIL-STD-348A/301

**Electrical Data**

Impedance 50 Ω

**Mechanical Data**

Coupling mechanisms Bayonet-lock

Weight 0.0212 kg

**Environmental Data**

Temperature range -65°C to +165°C

RoHS compliant

**Material And Plating**

Piece Parts (BNC - male)	Material	Plating
Centre contact	Phosphor Bronze	Gold plating(Nickel underplated)
Body	Brass	Copper-Tin-Zinc Alloy
Insulator	PTFE	
Gasket	Silicone Rubber	
Coupling nut	Brass	Copper-Tin-Zinc Alloy
Piece Parts (BNC - female)	Material	Plating
Centre contact	Phosphor Bronze	Gold plating(Nickel underplated)
Body	Brass	Copper-Tin-Zinc Alloy
Insulator	PTFE	

**Packing**

Single or 100