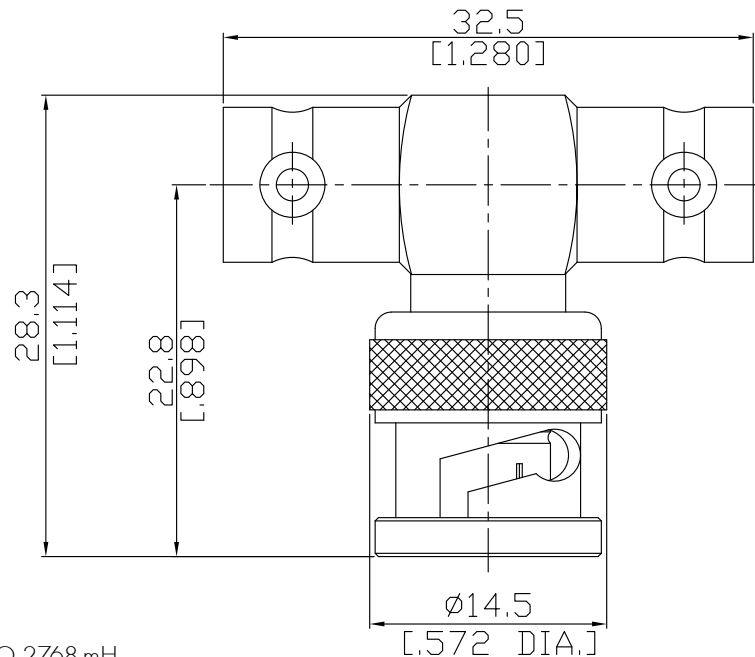


T-Adaptor 1 plug, 2 jacks
BNC jack (female) / BNC plug (male) / BNC jack (female)

ADT-B2B1B25A/H3-H33-H3



All dimensions are in mm [inch]
Tolerances according to DIN ISO 2768-mH

Interface

According to IEC 60169-8; MIL-STD-348A/301

Electrical Data

Impedance 50 Ω

Mechanical Data

Coupling mechanisms Bayonet-lock
Weight N/A

Environmental Data

Temperature range -65°C to +165°C
RoHS compliant

Material And Plating

Piece Parts (BNC - female)	Material	Plating
Centre contact	Phosphor Bronze	Gold plating(Nickel underplated)
Body	Brass	Nickel
Insulator	PTFE	
Piece Parts (BNC - male)	Material	Plating
Centre contact	Phosphor Bronze	Gold plating(Nickel underplated)
Body	Brass	Nickel
Insulator	PTFE	
Gasket	Silicone Rubber	
Coupling nut	Brass	Nickel
Piece Parts (BNC - female)	Material	Plating
Centre contact	Phosphor Bronze	Gold plating(Nickel underplated)
Body	Brass	Nickel
Insulator	PTFE	

Packing

Single or 100

The facts and figures herein are carefully compiled to the best of our knowledge, but they are intended for general informational purposes only. In the effort to improve our products, we reserve the right to make changes judged to be necessary.

Rev.:
Date:
19/11/10

Rosnol RF/Microwave Technology
www.rosnol.com; info@rosnol.com
Phone: +886-3-463-5095 / Fax: +886-3-463-5952
N-CAGE Code: SFKK0 / ISO9001 Certified

Page
1/1