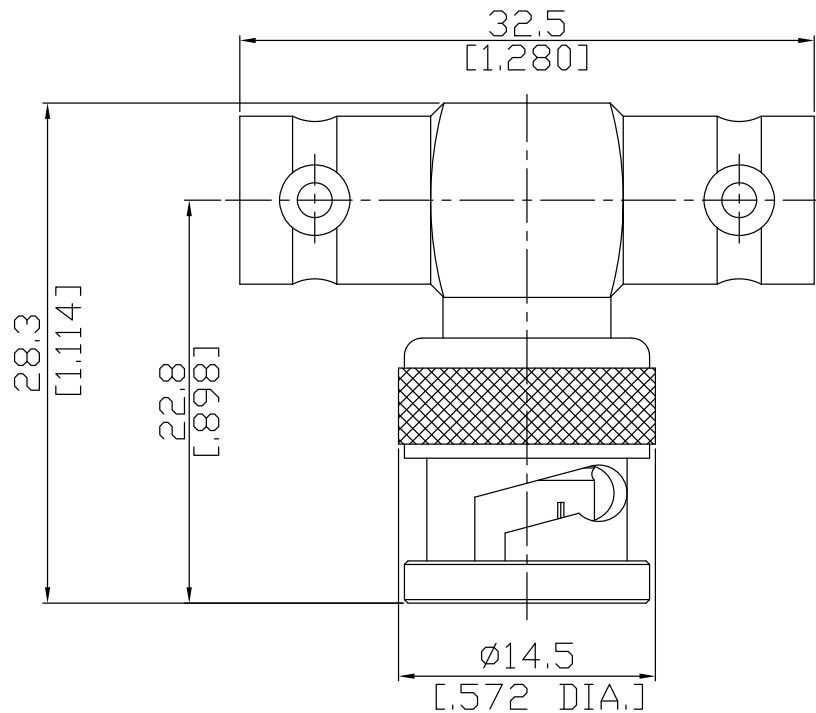


T-Adaptor 1 plug , 2 jacks
BNC plug (male) / BNC jack (female)

ADT-B2B1B25A/94-944-94



All dimensions are in mm [inch]

Tolerances according to DIN ISO 2768-mH

Interface

According to IEC 60169-8; CECC 22120; MIL-C-39012; MIL-STD-348A/301

Electrical Data

Impedance 50 Ω

Mechanical Data

Coupling mechanisms Bayonet-lock

Weight 0.0212 kg

Environmental Data

Temperature range -65°C to +165°C

RoHS compliant

Material And Plating

Piece Parts (BNC - male)	Material	Plating
Centre contact	Beryllium Copper	Gold plating(Nickel underplated)
Body	Brass	Copper-Tin-Zinc Alloy
Insulator	PTFE	
Gasket	Silicone Rubber	
Coupling nut	Brass	Copper-Tin-Zinc Alloy
Piece Parts (BNC - female)	Material	Plating
Centre contact	Beryllium Copper	Gold plating(Nickel underplated)
Body	Brass	Copper-Tin-Zinc Alloy
Insulator	PTFE	

Packing

Single or 100