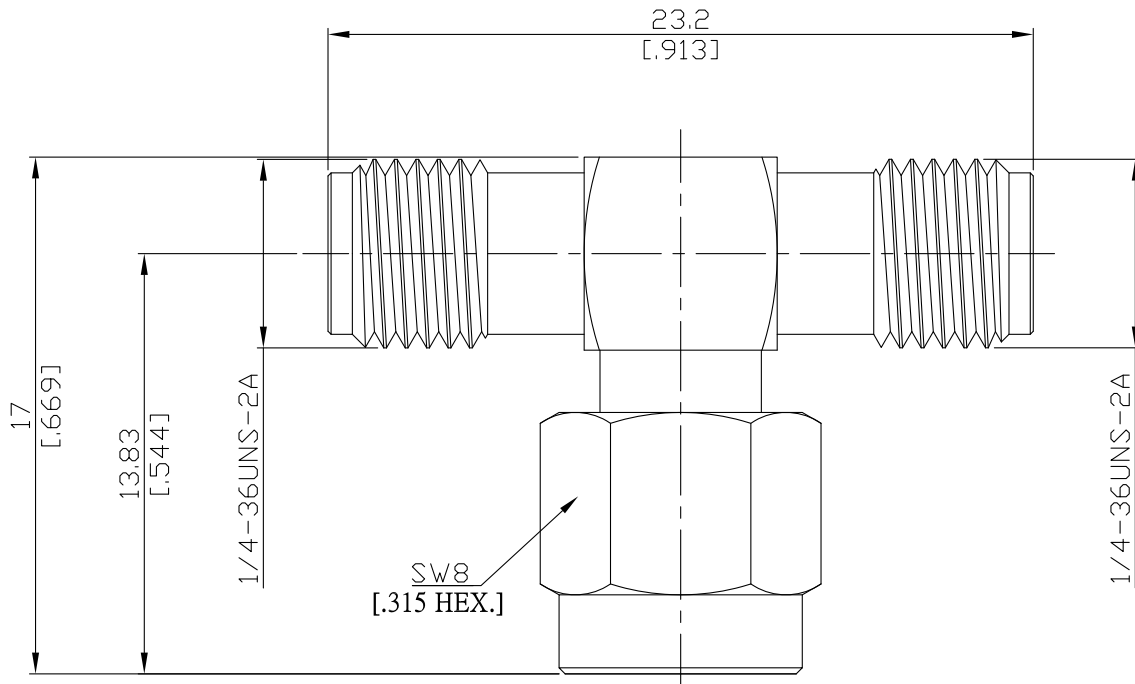


T-Adaptor 1 plug , 2 jacks
SMA R/P plug (male) / SMA R/P jack (female)

ADT-A7A5A75A/11-911-11



All dimensions are in mm [inch]

Interface

According to MIL-C-39012;MIL-STD-348A/310

Electrical Data

Impedance 50 Ω

Mechanical Data

Coupling mechanisms Screw-lock

Weight 0.0052 kg

Environmental Data

Temperature range -65°C to +165°C

RoHS compliant

Material And Plating

Piece Parts (SMA)	Material	Plating
Centre contact	Brass	Gold plating(Nickel underplated)
Body	Brass	Gold plating(Nickel underplated)
Insulator	PTFE	
Gasket	Silicone Rubber	
Coupling nut	Brass	Gold plating(Nickel underplated)

Piece Parts (SMA)	Material	Plating
Centre contact	Beryllium Copper	Gold plating(Nickel underplated)
Body	Brass	Gold plating(Nickel underplated)
Insulator	PTFE	

Packing

Single or 100