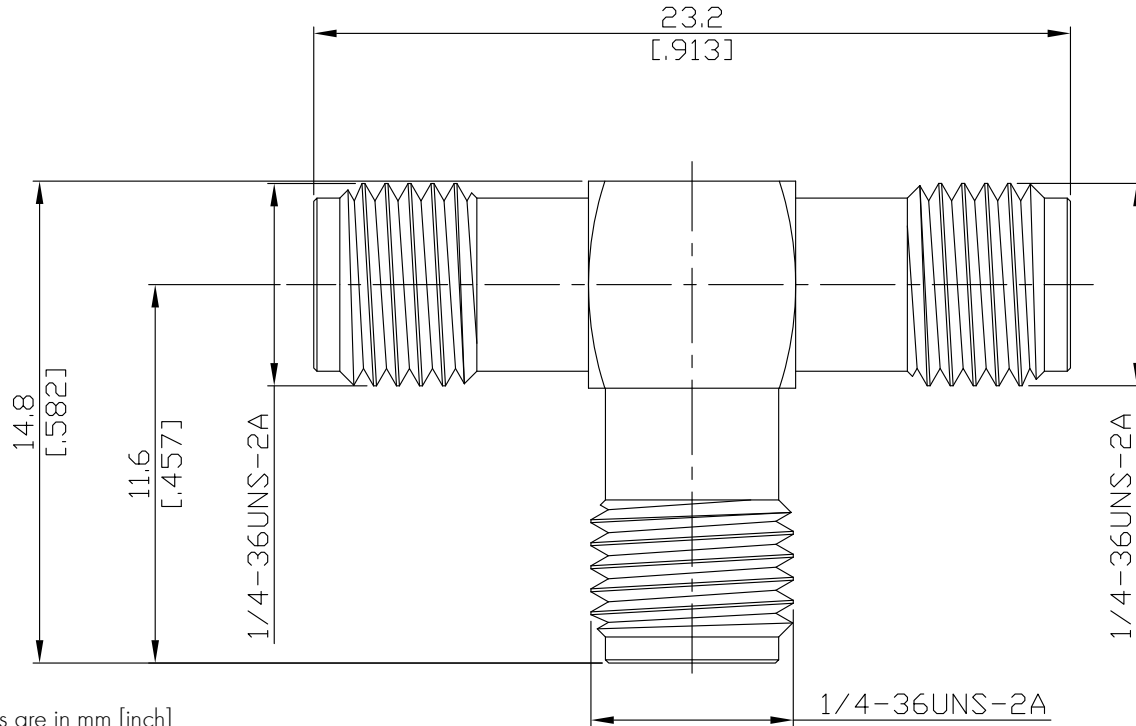


**T-Adaptor 3 SMA jacks**  
SMA jack (female) / SMA jack (female) / SMA jack (female)

**ADT-A2A2A25A/94-94-94**



All dimensions are in mm [inch]  
Tolerances according to DIN ISO 2768-mH

**Interface**

According to IEC 60169-15; MIL-STD-348B/310

**Electrical Data**

Impedance 50 Ω

**Mechanical Data**

Coupling mechanisms Screw-lock  
Weight N/A

**Environmental Data**

Temperature range -65°C to +165°C  
RoHS compliant

**Material And Plating**

Piece Parts (SMA)	Material	Plating
Centre contact	Beryllium Copper	Gold plating(Nickel underplated)
Body	Brass	Copper-Tin-Zinc Alloy
Insulator	PTFE	
Piece Parts (SMA)	Material	Plating
Centre contact	Beryllium Copper	Gold plating(Nickel underplated)
Body	Brass	Copper-Tin-Zinc Alloy
Insulator	PTFE	
Piece Parts (SMA)	Material	Plating
Centre contact	Beryllium Copper	Gold plating(Nickel underplated)
Body	Brass	Copper-Tin-Zinc Alloy
Insulator	PTFE	

**Packing**

Single or 100