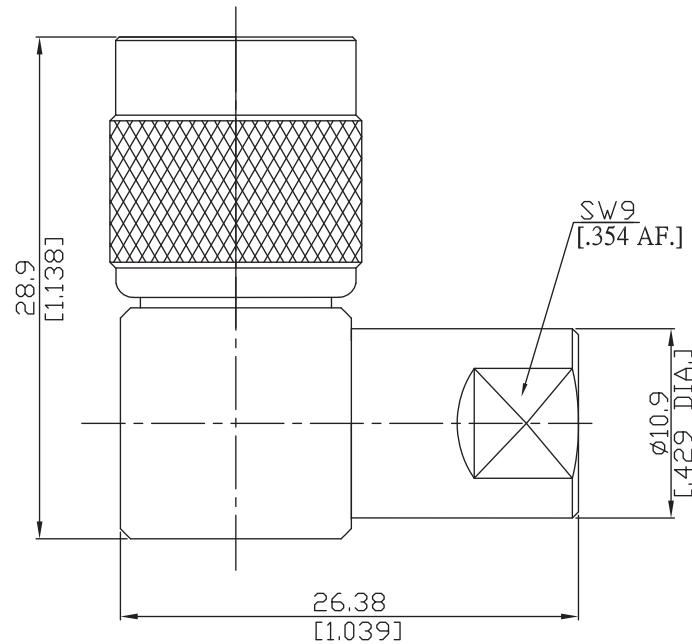




L-Adaptor plug/plug  
FME plug (male) / TNC plug (male)

AD-E1T15A/14-144



All dimensions are in mm [inch]  
Tolerances according to DIN ISO 2768-mH

**Interface**

According to MIL-C-39012; MIL-STD-348A/310

**Electrical Data**

Impedance 50 Ω  
Frequency DC to 2.5 GHz

**Mechanical Data**

Coupling mechanisms FME (Screw-lock) ; TNC (Screw-lock)  
Weight N/A

**Environmental Data**

Temperature range -65°C to +165°C  
RoHS compliant

**Material And Plating**

Piece Parts (TNC)	Material	Plating
Centre contact	Brass	Gold plating(Nickel underplated)
Body	Brass	Copper-Tin-Zinc Alloy
Insulator	PTFE	
Gasket	Silicone Rubber	
Coupling nut	Brass	Copper-Tin-Zinc Alloy
Piece Parts (FME)	Material	Plating
Centre contact	Brass	Gold plating(Nickel underplated)
Body	Brass	Copper-Tin-Zinc Alloy
Insulator	PTFE	

**Packing**

Single or 100