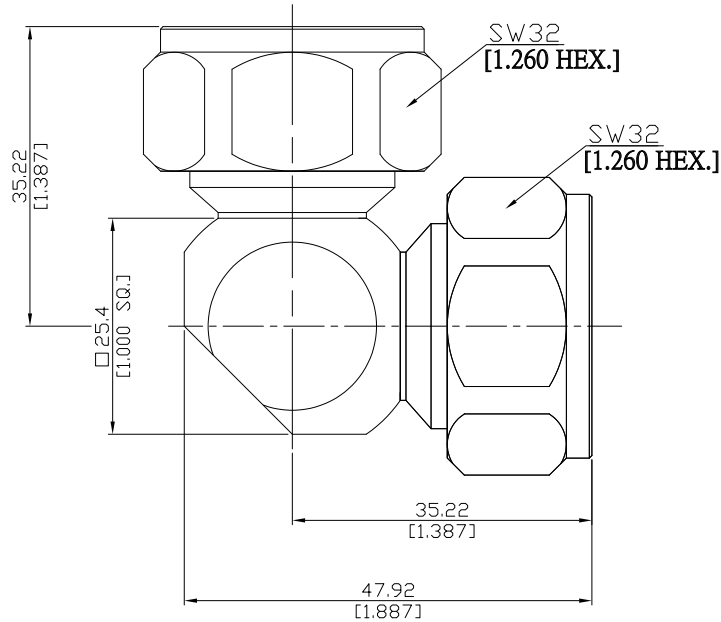


7/16 plug (male) / 7/16 plug (male) L-adaptor DC-7.5 GHz, VSWR ≤ 1.25

## ADL-D1D15A / 144-144



All dimensions are in mm [inch]

Tolerances according to DIN ISO 2768-mH

### Interface

according to IEC 61169-4

### Electrical Data

Impedance	50 Ω	
Frequency	DC to 7.5 GHz	
VSWR (Return Loss)	≥ 1.25 (≥ 19.08 dB)	
Insertion Loss	≤ 0.1 × √F (GHz) dB	
Insulation resistance	≥ 10 GΩ	
Center contact resistance	≤ 0.4 mΩ	
Outer contact resistance	≤ 1.5 mΩ	
Working voltage	500 V rms	
Power handling (at 20 °C, sea level, VSWR 1.0)	1800 W @ 1 GHz	800 W @ 4 GHz
RF-leakage	≥ 128 dB @ DC to 1 GHz	

### Material And Plating

Piece Parts (7/16)	Material	Plating
Centre contact	Brass	Gold plating, 3 μinch (Non-magnetic nickel-phosphorus underplating, 80 μinch)
Body	Brass	Copper-Tin-Zinc Alloy
Insulator	PTFE	
Gasket	Silicone Rubber	
Coupling nut	Brass	Copper-Tin-Zinc Alloy
Piece Parts (7/16)	Material	Plating
Centre contact	Brass	Gold plating, 3 μinch (Non-magnetic nickel-phosphorus underplating, 80 μinch)
Body	Brass	Copper-Tin-Zinc Alloy
Insulator	PTFE	
Gasket	Silicone Rubber	
Coupling nut	Brass	Copper-Tin-Zinc Alloy

The facts and figures herein are carefully compiled to the best of our knowledge, but they are intended for general informational purposes only. In the effort to improve our products, we reserve the right to make changes judged to be necessary.

Rev.:-	Rosnol RF/Microwave Technology Co., Ltd. www.rosnol.com; info@rosnol.com
Date:	Phone: +886-3-463-5095 / Fax: +886-3-463-5952
JUL/16/2021	N-CAGE Code: SFKK0 / ISO9001 Certified

Page

1/2

7/16 plug (male) / 7/16 plug (male) L-adaptor DC-7.5 GHz, VSWR ≤ 1.25

## ADL-D1D15A / 144-144

### Mechanical Data

Coupling mechanisms	Screw-lock
Mating cycles	≥ 500
Coupling nut retention	≥ 1000 N
Center contact captivation: axial	≥ 200 N
radial	≥ 2 Ncm
Coupling torque (recommended)	25 to 30 Nm
Proof torque	≤ 35 Nm

### Environmental Data

Temperature Range	-65°C to +165°C
Rapid change of temperature	DIN EN 122190, Sub-clause 4.6.7
Corrosion resistance	DIN EN 122190, Sub-clause 4.6.10
Vibration	DIN EN 122190, Sub-clause 4.6.3
Climatic category	DIN EN 122190, Sub-clause 4.6.5 (55/155/56)
Damp heat	DIN EN 122190, Sub-clause 4.6.6
Degree of protection (mated pair)	IEC 60529, IP68 2.5 bar 1h
RoHS	compliant

### Packing

Single or 100