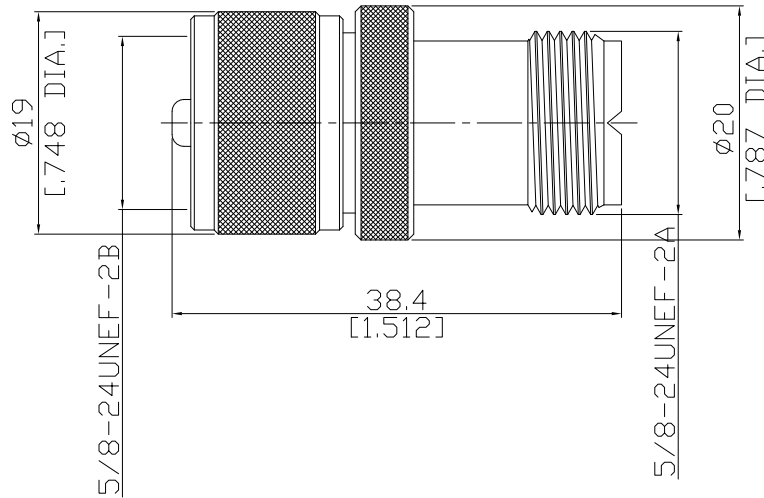


Adaptor plug/jack
UHF plug (male) / UHF jack (female)

AD-U1U25A/144-94



All dimensions are in mm [inch]
Tolerances according to DIN ISO 2768-mH

Interface

According to N/A

Electrical Data

Impedance non-constant
Frequency DC to 300 MHz

Mechanical Data

Coupling mechanisms Screw-lock
Weight 0.0223 kg

Environmental Data

Temperature range -55°C to $+149^{\circ}\text{C}$
RoHS compliant

Material And Plating

Piece Parts (UHF)	Material	Plating
Centre contact	Brass	Gold plating(Nickel underplated)
Body	Brass	Copper-Tin-Zinc Alloy
Insulator	PTFE	
Coupling nut	Brass	Copper-Tin-Zinc Alloy
Piece Parts (UHF)	Material	Plating
Centre contact	Beryllium Copper	Gold plating(Nickel underplated)
Body	Brass	Copper-Tin-Zinc Alloy
Insulator	PTFE	

Packing

Single or 100