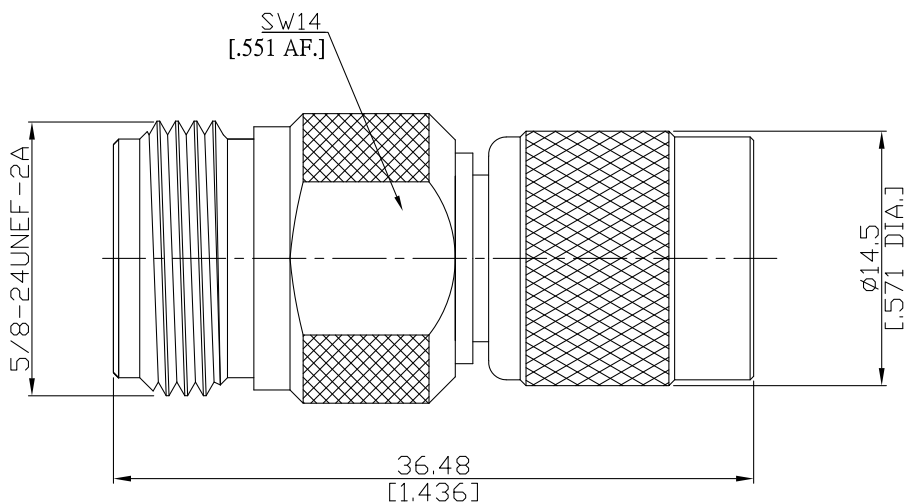


Adaptor plug/jack  
TNC plug (male) / N jack (female)

AD-T1N25B/H44-H4



All dimensions are in mm [inch]  
Tolerances according to DIN ISO 2768-mH

#### Interface

TNC according to IEC 60169-17; MIL-STD-348B/313  
N according to IEC 61169-16; MIL-STD-348B/304

#### Electrical Data

Impedance 50 Ω  
Frequency DC to 11 GHz  
VSWR (Return Loss) ≤ 1.20 (≥ 20.8 dB)  
Insertion Loss ≤ 0.05 x √F [GHz]

#### Mechanical Data

Coupling mechanisms TNC (Screw-lock); N (Screw-lock)  
Weight N/A

#### Environmental Data

Temperature range -65°C to +165°C  
RoHS compliant

#### Material And Plating

Piece Parts (TNC)	Material	Plating
Centre contact	Phosphor Bronze	Gold plating (Nickel underplated)
Body	Brass	Copper-Tin-Zinc Alloy
Insulator	PTFE	
Gasket	Silicone Rubber	
Coupling nut	Brass	Copper-Tin-Zinc Alloy
Piece Parts (N)	Material	Plating
Centre contact	Phosphor Bronze	Gold plating (Nickel underplated)
Body	Brass	Copper-Tin-Zinc Alloy
Insulator	PTFE	

#### Packing

Single or 100