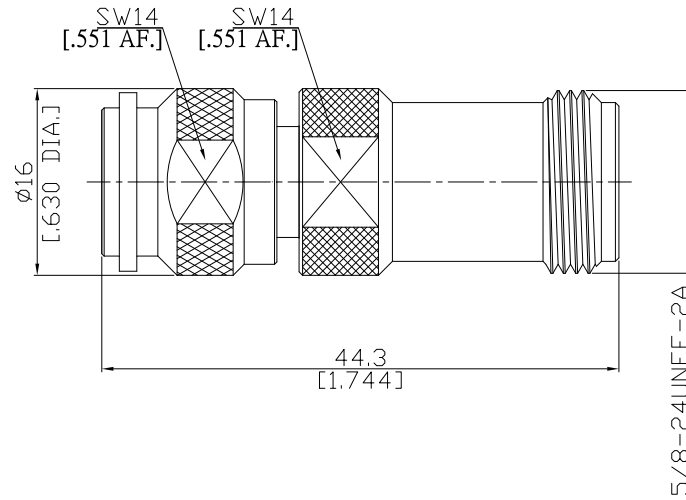


Adaptor plug/jack  
TNC plug (male) / N jack (female)

AD-T1N25A/H44-H4



All dimensions are in mm [inch]  
Tolerances according to DIN ISO 2768-mH

#### Interface

TNC according to IEC 60169-17; MIL-STD-348B/313  
N side according to IEC 61169-16; MIL-STD-348B/304

#### Electrical Data

Impedance 50  $\Omega$   
Frequency DC to 11 GHz  
VSWR (Return Loss)  $\leq 1.20$  ( $\geq 20.8$  dB)  
Insertion Loss  $\leq 0.05 \times \sqrt{F}$  (GHz)

#### Mechanical Data

Coupling mechanisms TNC (Screw-lock) ; N (Screw-lock)  
Weight 0.0409 kg

#### Environmental Data

Temperature range -65°C to +165°C  
RoHS compliant

#### Material And Plating

Piece Parts (TNC)	Material	Plating
Centre contact	Phosphor Bronze	Gold plating(Nickel underplated)
Body	Brass	Copper-Tin-Zinc Alloy
Insulator	PTFE	
Gasket	Silicone Rubber	
Coupling nut	Brass	Copper-Tin-Zinc Alloy
Piece Parts (N)	Material	Plating
Centre contact	Phosphor Bronze	Gold plating(Nickel underplated)
Body	Brass	Copper-Tin-Zinc Alloy
Insulator	PTFE	

#### Packing

Single or 100