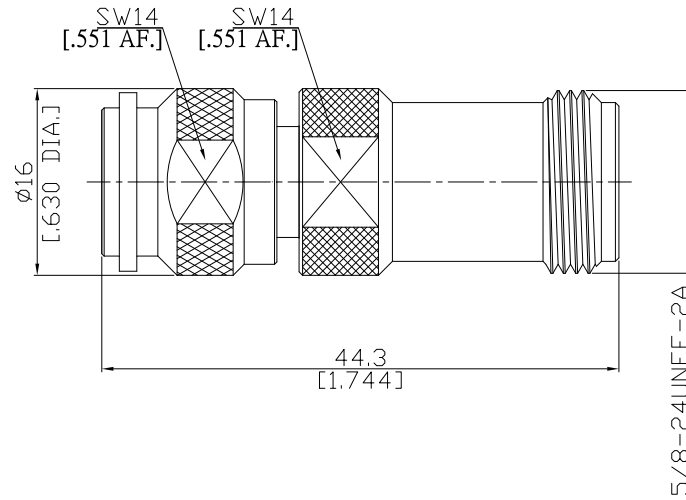


Adaptor plug/jack
TNC plug (male) / N jack (female)

AD-T1N25A/H33-H3



All dimensions are in mm [inch]
Tolerances according to DIN ISO 2768-mH

Interface

TNC side according to
N side according to

IEC 61169-17; MIL-C-39012; MIL-STD-348A/313
IEC 61169-16; MIL-C-39012; MIL-STD-348A/304; CECC 22210

Electrical Data

Impedance 50 Ω
Frequency DC to 11 GHz
VSWR (Return Loss) ≤ 1.20 (≥ 20.8 dB)
Insertion Loss $\leq 0.05 \times \sqrt{F}$ (GHz)

Mechanical Data

Coupling mechanisms TNC (Screw-lock); N (Screw-lock)
Weight 0.0409 kg

Environmental Data

Temperature range -65°C to $+165^{\circ}\text{C}$
RoHS compliant

Material And Plating

Piece Parts (TNC)	Material	Plating
Centre contact	Phosphor Bronze	Gold plating (nickel underplating)
Body	Brass	Nickel
Insulator	PTFE	
Gasket	Silicone Rubber	
Coupling nut	Brass	Nickel
Piece Parts (N)	Material	Plating
Centre contact	Phosphor Bronze	Gold plating (nickel underplating)
Body	Brass	Nickel
Insulator	PTFE	

Packing

Single or 100