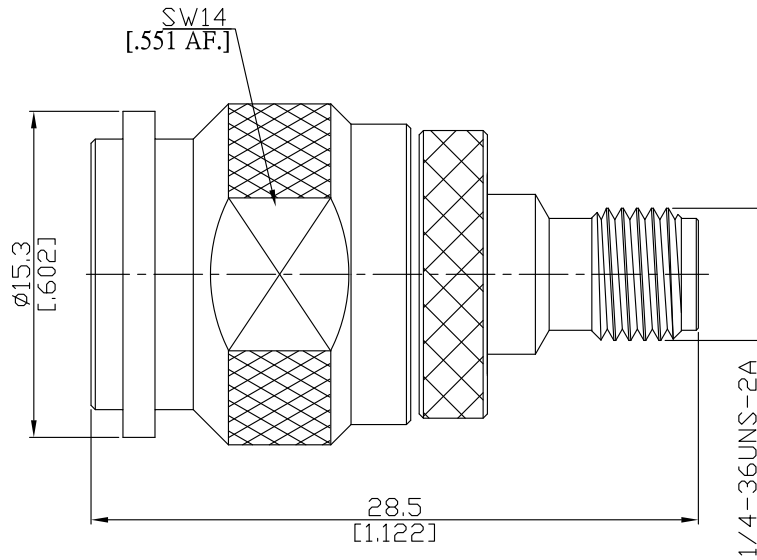


Adaptor plug/jack  
TNC plug (male) / SMA jack (female)

AD-T1A25A/144-91



All dimensions are in mm [inch]  
Tolerances according to DIN ISO 2768-mH

**Interface**

TNC according to IEC 60169-17; MIL-C-39012; MIL-STD-348A/313  
SMA according to IEC 60169-15; MIL-C-39012; MIL-STD-348A/310

**Electrical Data**

Impedance 50 Ω  
Frequency DC to 11 GHz  
VSWR (Return Loss) ≤ 1.25 (≥ 19.08 dB)  
Insertion Loss ≤ 0.1 × √F [GHz] dB

**Mechanical Data**

Coupling mechanisms TNC (Screw-lock); SMA (Screw-lock)  
Weight 0.0180 kg

**Environmental Data**

Temperature range -65°C to +165°C  
RoHS compliant

**Material And Plating**

Piece Parts (TNC)	Material	Plating
Centre contact	Brass	Gold plating (Nickel underplated)
Body	Brass	Copper-Tin-Zinc Alloy
Insulator	PTFE	
Gasket	Silicone Rubber	
Coupling nut	Brass	Copper-Tin-Zinc Alloy
Piece Parts (SMA)	Material	Plating
Centre contact	Beryllium Copper	Gold plating (Nickel underplated)
Body	Brass	Gold plating (Nickel underplated)
Insulator	PTFE	

**Packing**

Single or 100