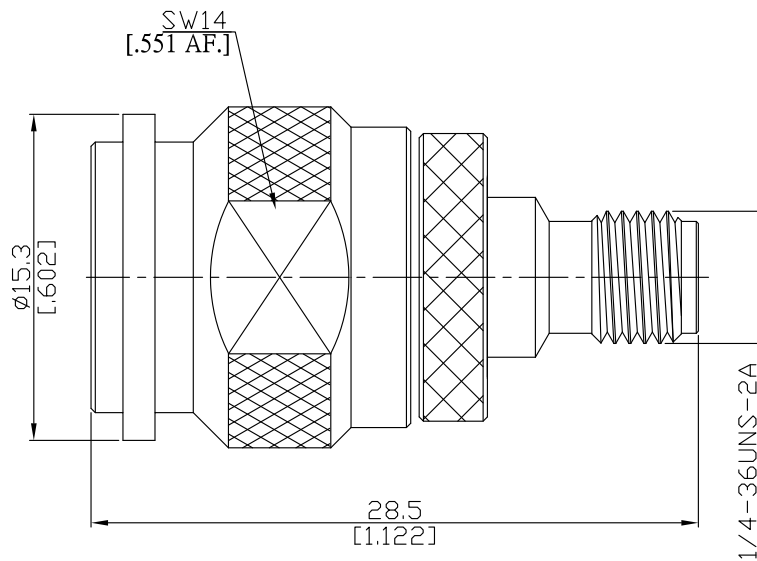




Adaptor plug/jack
TNC plug (male) / SMA jack (female)

AD-T1A25A/133-91



All dimensions are in mm [inch]

Tolerances according to DIN ISO 2768-mH

Interface

TNC side according to

IEC 60169-17; MIL-C-39012; MIL-STD-348A/313

SMA side according to

IEC 60169-15; MIL-C-39012; MIL-STD-348A/310

Electrical Data

Impedance

50 Ω

Frequency

DC to 11 GHz

VSWR (Return Loss)

≤ 1.25 (≥ 19.08 dB)

Insertion Loss

≤ 0.1 × √F [GHz] dB

Mechanical Data

Coupling mechanisms

TNC (Screw-lock); SMA (Screw-lock)

Weight

N/A

Environmental Data

Temperature range

-65°C to +165°C

RoHS

compliant

Material And Plating

Piece Parts (TNC)	Material	Plating
Centre contact	Brass	Gold plating (Nickel underplated)
Body	Brass	Nickel
Insulator	PTFE	
Gasket	Silicone Rubber	
Coupling nut	Brass	Nickel
Piece Parts (SMA)	Material	Plating
Centre contact	Beryllium Copper	Gold plating (Nickel underplated)
Body	Brass	Gold plating (Nickel underplated)
Insulator	PTFE	

Packing

Single or 100