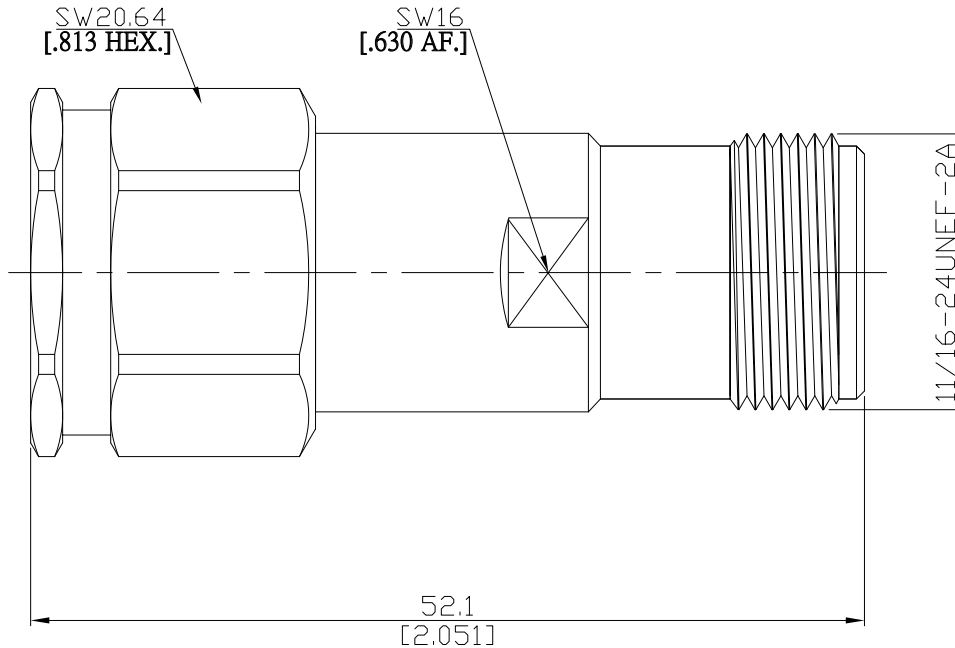


Adaptor plug/jack
SC plug (male) / SC jack (female)

AD-SC1SC25A/H44-H4



All dimensions are in mm [inch]

Tolerances according to DIN ISO 2768-mH

Interface

According to MIL-C-39012; MIL-STD-348A/309

Electrical Data

Impedance 50 Ω
Frequency DC to 11 GHz

Mechanical Data

Coupling mechanisms Screw-lock
Weight N/A

Environmental Data

Temperature range -65°C to +165°C
RoHS compliant

Material And Plating

| Piece Parts (SC) | Material | Plating |
|------------------|-----------------|----------------------------------|
| Centre contact | Phosphor Bronze | Gold plating(Nickel underplated) |
| Body | Brass | Copper-Tin-Zinc Alloy |
| Insulator | PTFE | |
| Coupling nut | Brass | Copper-Tin-Zinc Alloy |
| Piece Parts (SC) | Material | Plating |
| Centre contact | Phosphor Bronze | Gold plating(Nickel underplated) |
| Body | Brass | Copper-Tin-Zinc Alloy |
| Insulator | PTFE | |

Packing

Single or 100