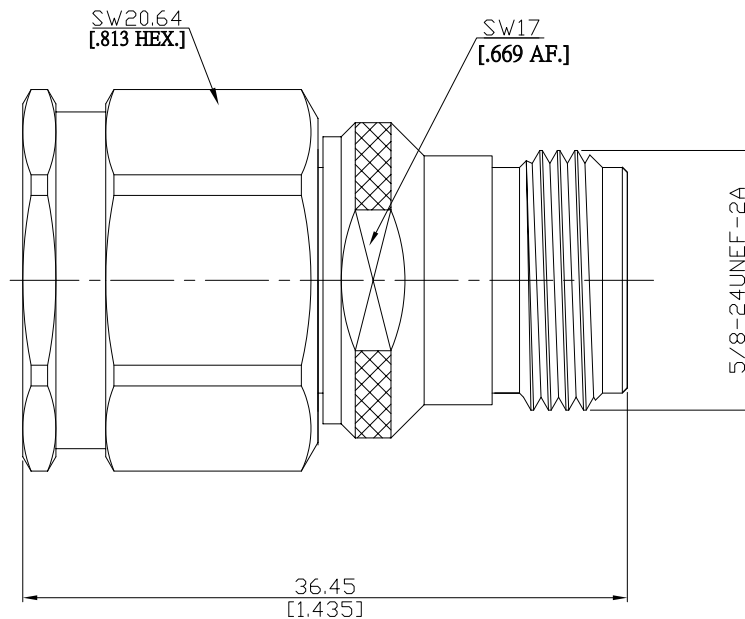


Adaptor plug/jack
SC plug (male) / N jack (female)

AD-SC1N25A/144-94



All dimensions are in mm [inch]
Tolerances according to DIN ISO 2768-mH

Interface

SC according to MIL-C-39012; MIL-STD-348A/309
N according to IEC 61169-16; CECC 22210; MIL-C-39012; MIL-STD-348A/304

Electrical Data

Impedance 50 Ω
Frequency DC to 11 GHz, 1500 V typ.

Mechanical Data

Coupling mechanisms SC (Screw-lock); N (Screw-lock)
Weight 0.0556 kg

Environmental Data

Temperature range -65°C to +165°C
RoHS compliant

Material And Plating

Piece Parts (SC)	Material	Plating
Centre contact	Brass	Gold plating(Nickel underplated)
Body	Brass	Copper-Tin-Zinc Alloy
Insulator	PTFE	
Coupling nut	Brass	Copper-Tin-Zinc Alloy

Piece Parts (N)	Material	Plating
Centre contact	Beryllium Copper	Gold plating(Nickel underplated)
Body	Brass	Copper-Tin-Zinc Alloy
Insulator	PTFE	

Packing

Single or 100