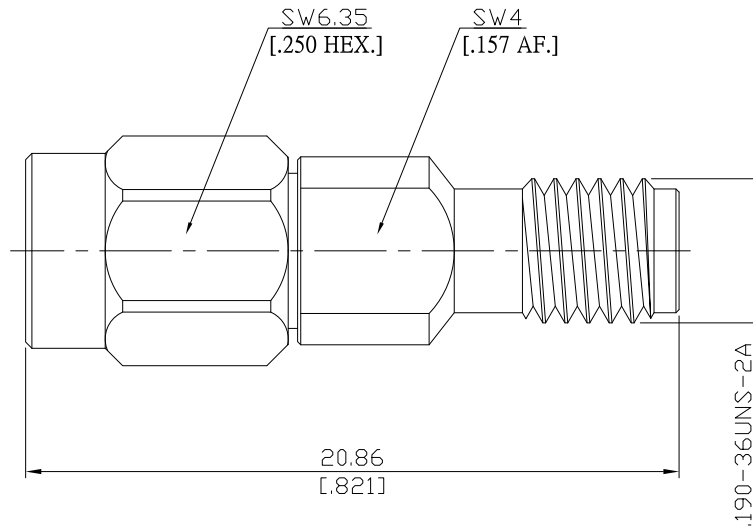


**Adaptor Plug / Jack**  
SSMA plug (male) / SSMA jack (female)

AD-SA1SA15A/911-91



All dimensions are in mm [inch]  
Tolerances according to DIN ISO 2768-mH

**Interface**

According to IEC 60169-15; MIL-C-39012; MIL-STD-348A/319

**Electrical Data**

Impedance 50 Ω  
Frequency DC to 18 GHz  
VSWR (Return Loss) ≤ 1.22 (≥ 20.1 dB)  
Insertion Loss ≤ 0.05 × √F (GHz) dB

**Mechanical Data**

Coupling mechanisms Screw-lock  
Weight N/A

**Environmental Data**

Temperature range -65°C to +165°C  
RoHS compliant

**Material And Plating**

Piece Parts (SSMA)	Material	Plating
Centre contact	Beryllium Copper	Gold plating(Nickel underplated)
Body	Brass	Gold plating(Nickel underplated)
Insulator	PTFE	
Gasket	Silicone Rubber	
Coupling nut	Brass	Gold plating(Nickel underplated)
Piece Parts (SSMA)	Material	Plating
Centre contact	Beryllium Copper	Gold plating(vNickel underplated)
Body	Brass	Gold plating(Nickel underplated)
Insulator	PTFE	

**Packing**

Single or 100