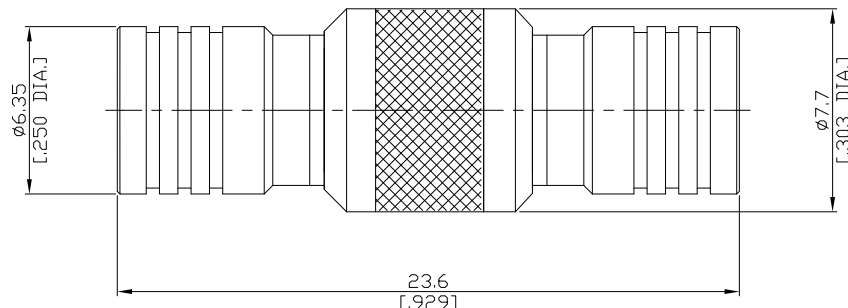




Adaptor Plug / Plug
SMB plug (male) / SMB plug (male)

AD-S1S15A/911-911



All dimensions are in mm [inch]
Tolerances according to DIN ISO 2768-mH

Interface

According to IEC 60169-10; MIL-C-39012; MIL-STD-348A/311

Electrical Data

Impedance 50 Ω
Frequency DC to 4 GHz
VSWR (Return Loss) ≤ 1.35 (≥ 16.5 dB)
Insertion Loss ≤ 0.1 x √F (GHz) dB

Mechanical Data

Coupling mechanisms Snap-on
Weight 0.0051 kg

Environmental Data

Temperature range -65°C to +165°C
RoHS compliant

Material And Plating

Piece Parts (SMB)	Material	Plating
Centre contact	Beryllium Copper	Gold plating(Nickel underplated)
Body	Brass	Gold plating(Nickel underplated)
Insulator	PTFE	
Coupling nut	Brass	Gold plating(Nickel underplated)
Piece Parts (SMB)	Material	Plating
Centre contact	Beryllium Copper	Gold plating(Nickel underplated)
Body	Brass	Gold plating(Nickel underplated)
Insulator	PTFE	
Coupling nut	Brass	Gold plating(Nickel underplated)

Packing

Single or 100