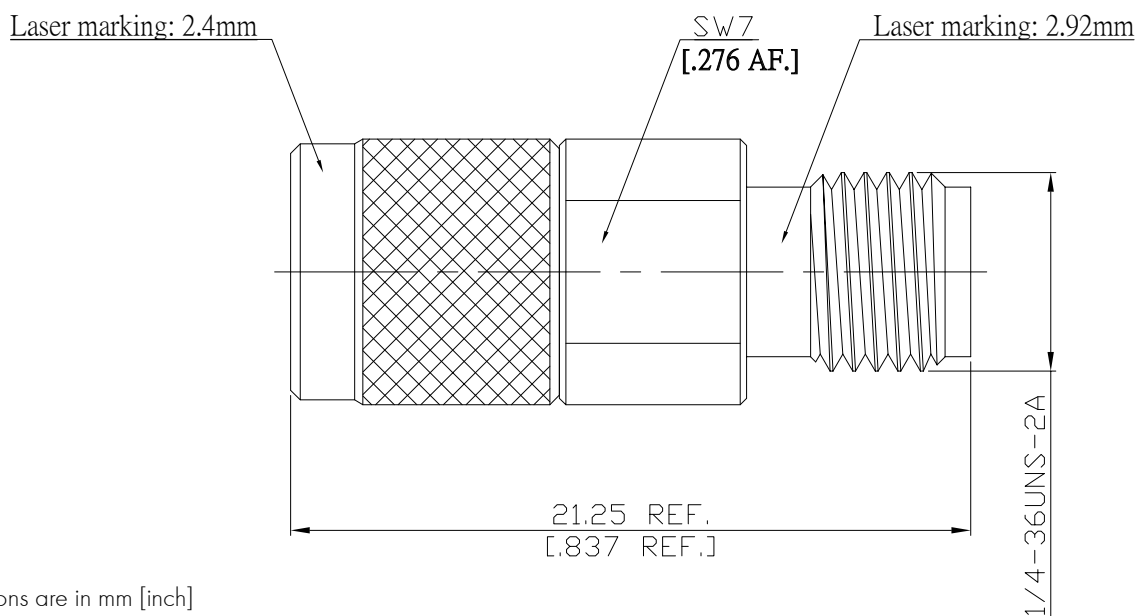


Adaptor plug/jack
2.4mm Snap-On plug (male) / 2.92mm jack (female)

AD-QQ1K25A/99X-9X



All dimensions are in mm [inch]
Tolerances according to DIN ISO 2768-mH

Interface

2.4mm snap-on according to
2.92mm according to

IEC 61169-40, IEEE Std 287-2007
IEC 61169-35, IEEE Std 287-2007

Electrical Data

Impedance

50 Ω

Frequency

DC to 40 GHz

VSWR (Return Loss)

≤ 1.15 (≥ 23.13 dB)

Insertion Loss

≤ 0.05 x √F [GHz] dB

Mechanical Data

Coupling mechanisms

2.4mm Snap-On (Snap-lock); 2.92mm (Screw-lock)

Weight

N/A

Environmental Data

Temperature range

-55°C to +165°C

RoHS

compliant

Material And Plating

Piece Parts (2.4mm Snap-On)

Piece Parts (2.4mm Snap-On)	Material	Plating
Centre contact	Beryllium Copper	Gold plating(Nickel underplated)
Body	Beryllium Copper	Gold plating(Nickel underplated)
Insulator	PEI	
Coupling nut	Stainless Steel	Passivated

Piece Parts (2.92mm)

Piece Parts (2.92mm)	Material	Plating
Centre contact	Beryllium Copper	Gold plating(Nickel underplated)
Body	Stainless Steel	Passivated
Insulator	PEI	

Packing

Single or 100