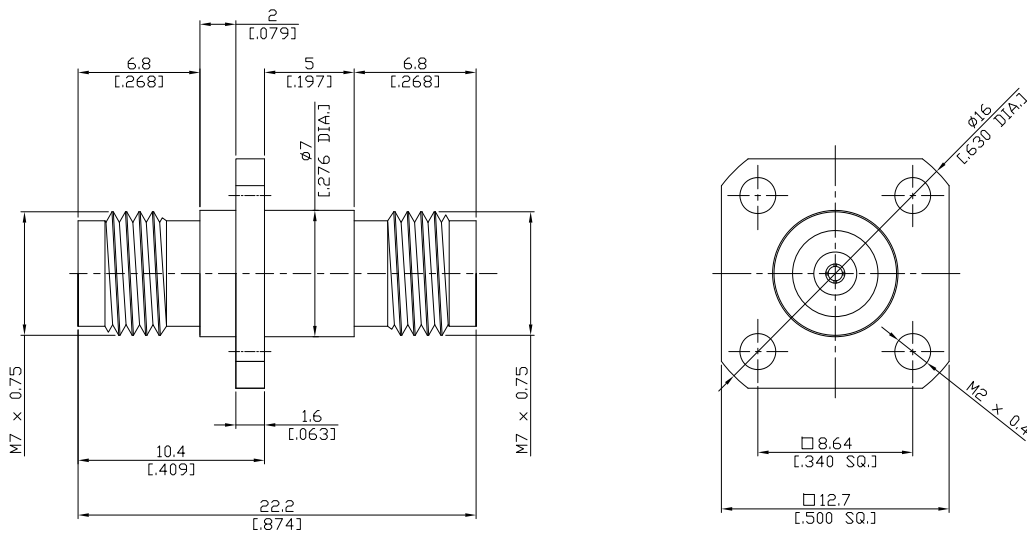


2.4mm Jack (Female) to 2.4mm Jack (Female)
Panel 4 Hole Flange Mount (M2x0.4 Threaded) Adapter

AD-Q2Q25B-PFM2/9X-9X



All dimensions are in mm [inch]

Tolerances according to DIN ISO 2768-mH

Interface

According to IEEE Std 287

Electrical Data

Impedance 50 Ω
 Frequency DC to 50 GHz
 VSWR (Return Loss) ≤ 1.20 (≥ 20.83 dB)
 Insertion Loss ≤ 0.05 x √F (GHz) dB

Mechanical Data

Coupling mechanisms Screw-lock
 Weight N/A

Environmental Data

Temperature range -60°C to +100°C
 RoHS compliant

Material And Plating

Piece Parts (2.4mm)	Material	Plating
Centre contact	Beryllium Copper	Gold plating(Nickel underplated)
Body	Stainless Steel	Passivated
Insulator	PS	
Piece Parts (2.4mm)	Material	Plating
Centre contact	Beryllium Copper	Gold plating(Nickel underplated)
Body	Stainless Steel	Passivated
Insulator	PS	

Packing

Single or 100

Related Document

Mounting Dimension MD147