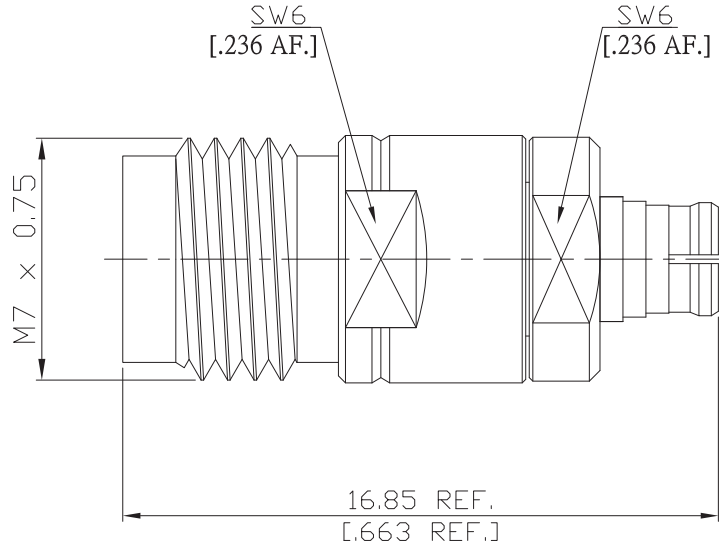


Adaptor jack/jack  
2.4mm jack (female) / SMP jack (female)

AD-Q2P25A/9X-99



All dimensions are in mm [inch]

Tolerances according to DIN ISO 2768-mH

#### Interface

RPC2.4 Side According to  
SMP Side According to

IEEE Std 287 ; MIL-STD-348B/324  
MIL-STD-348B/326

#### Electrical Data

Impedance

50 Ω

Frequency

DC to 40 GHz

VSWR (Return Loss)

≤ 1.20 (≥ 20.83 dB)

Insertion Loss

≤ 0.05 x √F (GHz) dB

#### Mechanical Data

Coupling mechanisms

RPC2.4 (Screw-lock) ; SMP (Snap-lock)

Weight

N/A

#### Environmental Data

Temperature range

-60°C to +100°C

RoHS

compliant

#### Material And Plating

Piece Parts (RPC2.4)	Material	Plating
Centre contact	Beryllium Copper	Gold plating(Nickel underplated)
Body	Stainless Steel	Passivated
Insulator	PS	
Piece Parts (SMP)	Material	Plating
Centre contact	Beryllium Copper	Gold plating(Nickel underplated)
Body	Beryllium Copper	Gold plating(Nickel underplated)
Insulator	PS	

#### Packing

Single or 100