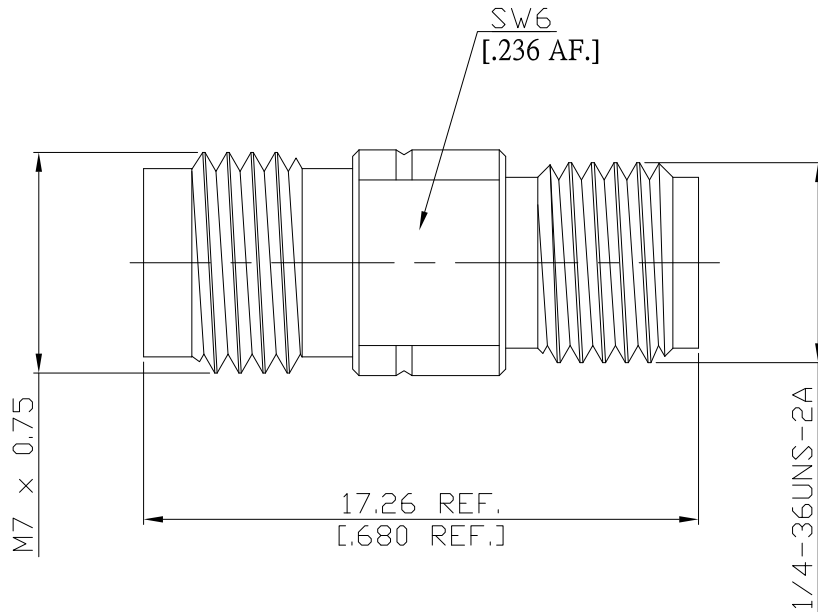




Adaptor jack/jack  
2.4mm jack (female) / 2.92mm jack (female)

AD-Q2K25A/9X-9X



All dimensions are in mm [inch]

Tolerances according to DIN ISO 2768-mH

**Interface**

2.4mm according to IEC 61169-40  
2.92mm according to IEC 61169-35

**Electrical Data**

Impedance 50 Ω  
Frequency DC to 40 GHz  
VSWR (Return Loss) ≤ 1.15 (≥ 23.13 dB)  
Insertion Loss ≤ 0.05 x √F [GHz] dB

**Mechanical Data**

Coupling mechanisms Screw-lock  
Weight N/A

**Environmental Data**

Temperature range -60°C to +100°C  
RoHS compliant

**Material And Plating**

Piece Parts (2.4mm)	Material	Plating
Centre contact	Beryllium Copper	Gold plating (Nickel underplated)
Body	Stainless Steel	Passivated
Insulator	PS	

Piece Parts (2.92mm)	Material	Plating
Centre contact	Beryllium Copper	Gold plating (Nickel underplated)
Body	Stainless Steel	Passivated
Insulator	PS	

**Packing**

Single or 100