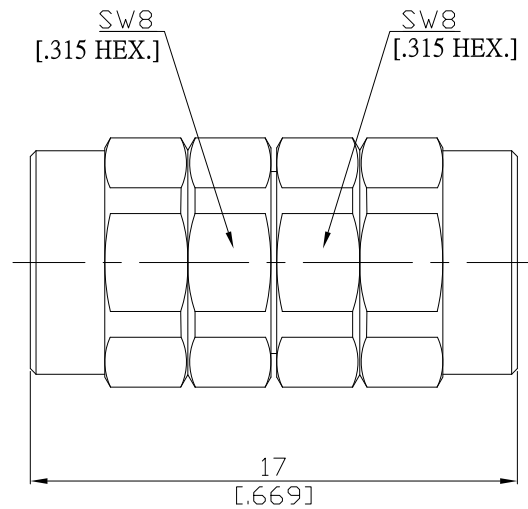


Adaptor plug/plug  
2.4mm plug (male) / 2.4mm plug (male)

AD-Q1Q15A/9XX-9XX



All dimensions are in mm [inch]  
Tolerances according to DIN ISO 2768-mH

**Interface**

Mechanically compatible with 1.85mm  
According to IEC 61169-40; IEEE Std 287

**Electrical Data**

Impedance 50 Ω  
Frequency DC to 50 GHz  
VSWR (Return Loss) ≤ 1.2 (≥ 20.83 dB)  
Insertion Loss ≤ 0.05 x √F [GHz] dB

**Mechanical Data**

Coupling mechanisms Screw-lock  
Weight N/A

**Environmental Data**

Temperature range -55°C to +165°C  
RoHS compliant

**Material And Plating**

Piece Parts (2.4mm)	Material	Plating
Centre contact	Beryllium Copper	Gold plating(Nickel underplated)
Body	Stainless Steel	Passivated
Insulator	PEI	
Gasket	Silicone Rubber	
Coupling nut	Stainless Steel	Passivated
Piece Parts (2.4mm)	Material	Plating
Centre contact	Beryllium Copper	Gold plating(Nickel underplated)
Body	Stainless Steel	Passivated
Insulator	PEI	
Gasket	Silicone Rubber	
Coupling nut	Stainless Steel	Passivated

**Packing**

Single or 100