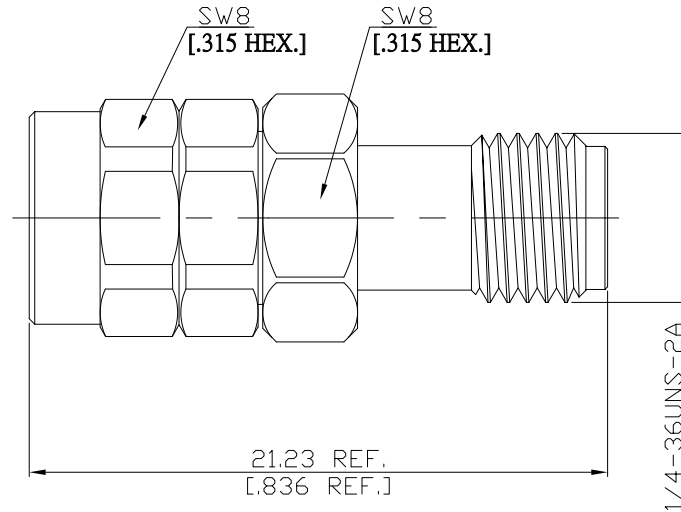




2.4mm Plug (Male) to Precision SMA Jack (Female) Adapter  
DC-27GHz VSWR1.15

**AD-Q1PCA25B / 9XX-9X**



All dimensions are in mm [inch]  
Tolerances according to DIN ISO 2768-mH

**Interface**

Mechanically compatible with	2.4mm Side	Precision SMA Side
According to	1.85mm IEC 61169-40, IEEE Std 287	2.92mm and 3.5mm IEC 60169-15, MIL-STD-348B/310

**Electrical Data**

Impedance	50 Ω
Frequency	DC to 27 GHz
VSWR (Return Loss)	≤ 1.15 (≥ 23.13 dB)
Insertion Loss	≤ 0.05 x √F (GHz) dB
Insulation Resistance	≥ 5 GΩ
Center Contact Resistance 2.4mm	≤ 4 mΩ
Outer Contact Resistance 2.4mm	≤ 2.5 mΩ
Center Contact Resistance Precision SMA	≤ 3 mΩ
Outer Contact Resistance Precision SMA	≤ 2 mΩ
Test Voltage (at sea level)	500 V rms
Working Voltage (at sea level)	150 V rms
RF Leakage	≥ 100 dB up to 1 GHz

**Material And Plating**

Piece Parts (2.4mm)	Material	Plating
Centre Contact	Beryllium Copper	Gold plating, 3 μinch (Non-magnetic nickel-phosphorus underplating, 80 μinch)
Body	Stainless Steel	Passivated
Insulator	PEI	
Gasket	Silicone Rubber	
Coupling Nut	Stainless Steel	Passivated
Piece Parts (Precision SMA)	Material	Plating
Centre Contact	Beryllium Copper	Gold plating, 3 μinch (Non-magnetic nickel-phosphorus underplating, 80 μinch)
Body	Stainless Steel	Passivated
Insulator	PTFE	

The facts and figures herein are carefully compiled to the best of our knowledge, but they are intended for general informational purposes only. In the effort to improve our products, we reserve the right to make changes judged to be necessary.

Rev.:-	Rosnol RF/Microwave Technology Co., Ltd. <a href="http://www.rosnol.com">www.rosnol.com</a> ; <a href="mailto:info@rosnol.com">info@rosnol.com</a>
Date: 6/23/2019	Phone: +886-3-463-5095 / Fax: +886-3-463-5952 N-CAGE Code: SFKK0 / ISO9001 Certified

2.4mm Plug (Male) to Precision SMA Jack (Female) Adapter  
DC-27GHz VSWR1.15

**AD-Q1PCA25B / 9XX-9X**

**Mechanical Data**

	2.4mm Side	Precision SMA Side
Coupling mechanisms	Screw-lock	Screw-lock
Mating Cycles	≥ 500	≥ 500
Coupling Nut Retention	≥ 270 N	≥ 270 N
Center Contact Captivation	≥ 20 N	≥ 20 N
Coupling Test Torque	1.65 Nm max.	1.70 Nm max.
Recommended Torque	0.9 Nm	0.9 Nm

**Environmental Data**

Temperature Range	-55°C to +165°C
Thermal shock	MIL-STD-202, Method 107, Condition B
Corrosion	MIL-STD-202, Method 101, Condition B
Vibration	MIL-STD-202, Method 204, Condition D
Shock	MIL-STD-202, Method 213, Condition I
Moisture Resistance	MIL-STD-202, Method 106
RoHS	compliant

**Packing**

Standard	Single
Weight	N/A