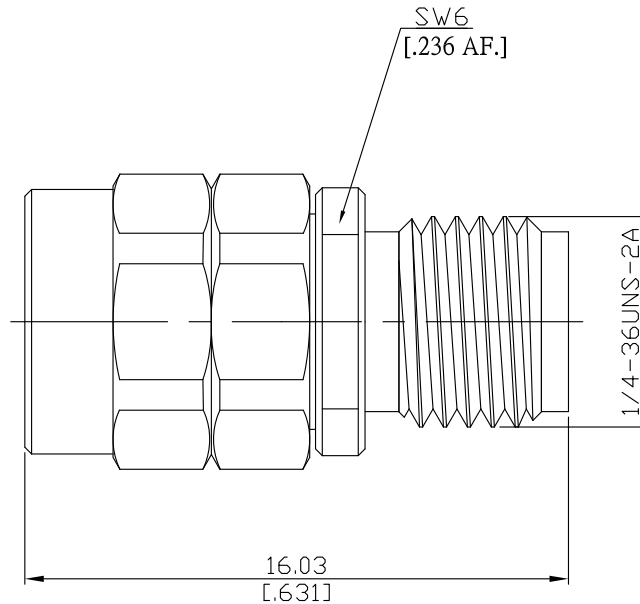


Adaptor plug/jack  
2.4mm plug (male) / Precision SMA jack (female)

AD-Q1PCA25A/9XX-9X



All dimensions are in mm [inch]

Tolerances according to DIN ISO 2768-mH

#### Interface

2.4mm according to

IEC 61169-40

Precision SMA according to

IEC 60169-15; MIL-C-39012; MIL-STD-348A/310

#### Electrical Data

Impedance

50 Ω

Frequency

DC to 27GHz

VSWR (Return Loss)

≤ 1.12 (≥ 24.94 dB)

Insertion Loss

≤ 0.05 x √F (GHz) dB

#### Mechanical Data

Coupling mechanisms

Screw-lock

Weight

N/A

#### Environmental Data

Temperature range

-60°C to +100°C

RoHS

compliant

#### Material And Plating

| Piece Parts (2.4mm)         | Material         | Plating                          |
|-----------------------------|------------------|----------------------------------|
| Centre contact              | Beryllium Copper | Gold plating(Nickel underplated) |
| Body                        | Stainless Steel  | Passivated                       |
| Insulator                   | PS               |                                  |
| Gasket                      | Silicone Rubber  |                                  |
| Coupling nut                | Stainless Steel  | Passivated                       |
| Piece Parts (Precision SMA) | Material         | Plating                          |
| Centre contact              | Beryllium Copper | Gold plating(Nickel underplated) |
| Body                        | Stainless Steel  | Passivated                       |
| Insulator                   | PTFE             |                                  |

#### Packing

Single or 100