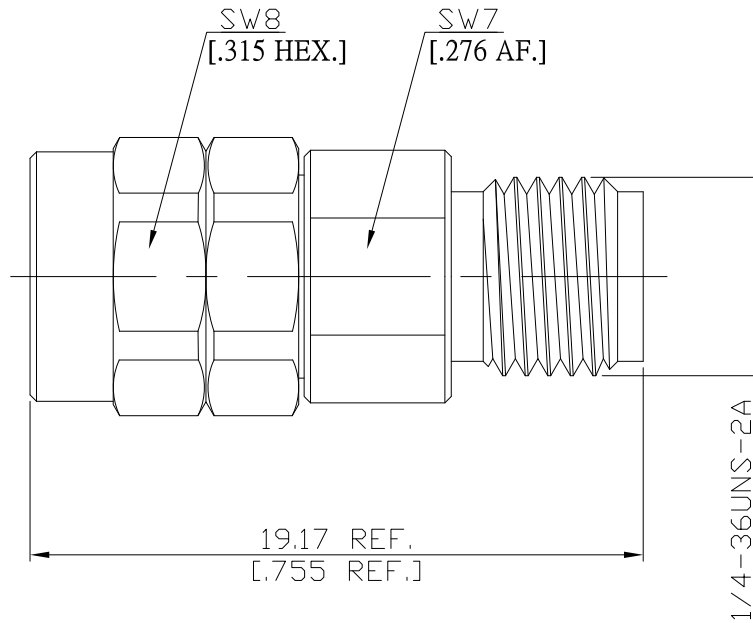


Adaptor plug/jack
2.4mm plug (male) / 3.5mm jack (female)

AD-Q1PC25A/9XX-9X



All dimensions are in mm [inch]

Tolerances according to DIN ISO 2768-mH

Interface

2.4mm according to

IEC 61169-40

3.5mm according to

IEC 60169-23

Electrical Data

Impedance

50 Ω

Frequency

DC to 34.5 GHz

VSWR (Return Loss)

≤ 1.15 (≥ 23.13 dB)

Insertion Loss

≤ 0.05 x √F [GHz] dB

Mechanical Data

Coupling mechanisms

Screw-lock

Weight

N/A

Environmental Data

Temperature range

-60°C to +100°C

RoHS

compliant

Material And Plating

Piece Parts (2.4mm)	Material	Plating
Centre contact	Beryllium Copper	Gold plating (Nickel underplated)
Body	Stainless Steel	Passivated
Insulator	PS	
Coupling nut	Stainless Steel	Passivated
Piece Parts (3.5mm)	Material	Plating
Centre contact	Beryllium Copper	Gold plating (Nickel underplated)
Body	Stainless Steel	Passivated
Insulator	PS	

Packing

Single or 100