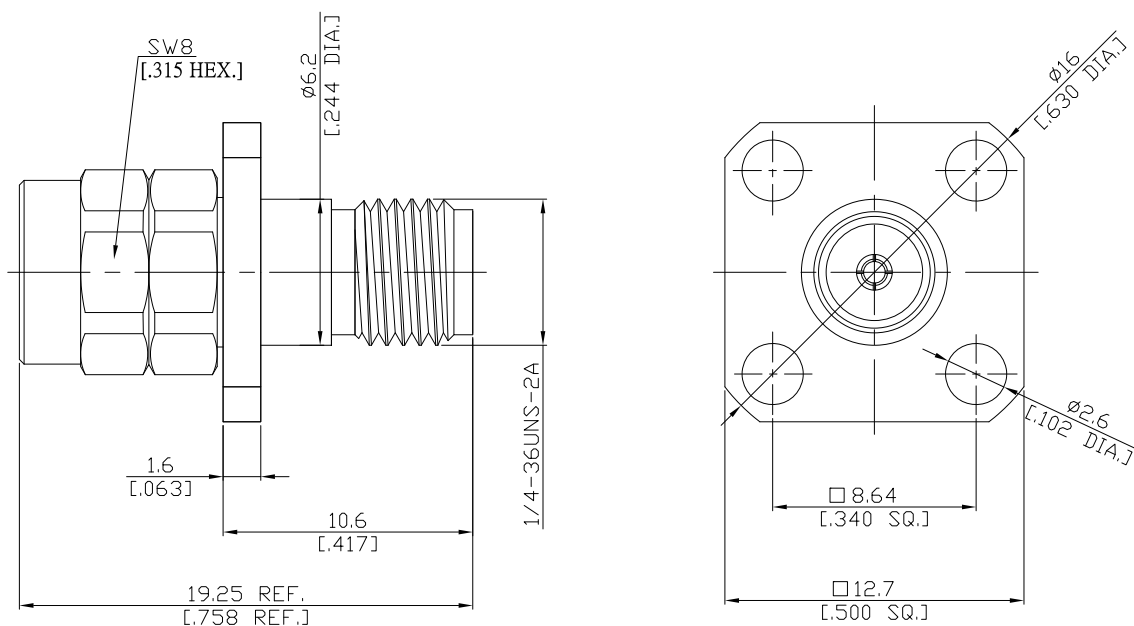




2.4mm Plug (Male) to 2.92mm Jack (Female)
Panel 4 Hole Flange Mount Adapter

AD-Q1K25A-PF/9XX-9X



All dimensions are in mm [inch]

Tolerances according to DIN ISO 2768-mH

Interface

2.4mm according to IEC 61169-40
2.92mm according to IEC 61169-35

Electrical Data

Impedance 50 Ω
Frequency DC to 40 GHz
VSWR (Return Loss) ≤ 1.15 (≥ 23.13 dB)
Insertion Loss ≤ 0.05 × √F (GHz) dB

Mechanical Data

Coupling mechanisms Screw-lock
Weight N/A

Environmental Data

Temperature range -60°C to +100°C
RoHS compliant

Material And Plating

| Piece Parts (2.4mm) | Material | Plating |
|---------------------|------------------|-----------------------------------|
| Centre contact | Beryllium Copper | Gold plating (Nickel underplated) |
| Body | Stainless Steel | Passivated |
| Insulator | PS | |

| Piece Parts (2.92mm) | Material | Plating |
|----------------------|------------------|-----------------------------------|
| Centre contact | Beryllium Copper | Gold plating (Nickel underplated) |
| Body | Stainless Steel | Passivated |
| Insulator | PS | |

Packing

Single or 100