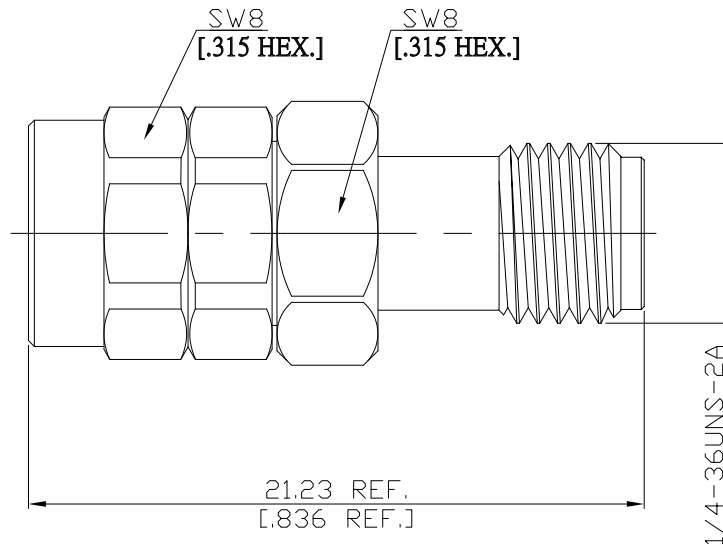


Adaptor plug/jack  
2.4mm plug (male) / SMA jack (female)

AD-Q1A25B/9XX-9X



All dimensions are in mm [inch]  
Tolerances according to DIN ISO 2768-mH

#### Interface

According to MIL-C-39012; MIL-STD-348A/310  
IEEE STD 287

#### Electrical Data

Impedance 50 Ω  
Frequency DC to 26.5 GHz  
VSWR (Return Loss) ≤ 1.12 (≥ 24.94 dB)  
Insertion Loss ≤ 0.05 x √F (GHz) dB

#### Mechanical Data

Coupling mechanisms Screw-lock  
Weight N/A

#### Environmental Data

Temperature range -60°C to +100°C  
RoHS compliant

#### Material And Plating

Piece Parts (RPC2.4)	Material	Plating
Centre contact	Beryllium Copper	Gold plating(Nickel underplated)
Body	Stainless Steel	Passivated
Insulator	PS	
Gasket	Silicone Rubber	
Coupling nut	Stainless Steel	Passivated
Piece Parts (SMA)	Material	Plating
Centre contact	Beryllium Copper	Gold plating(Nickel underplated)
Body	Stainless Steel	Passivated
Insulator	PTFE	

#### Packing

Single or 100