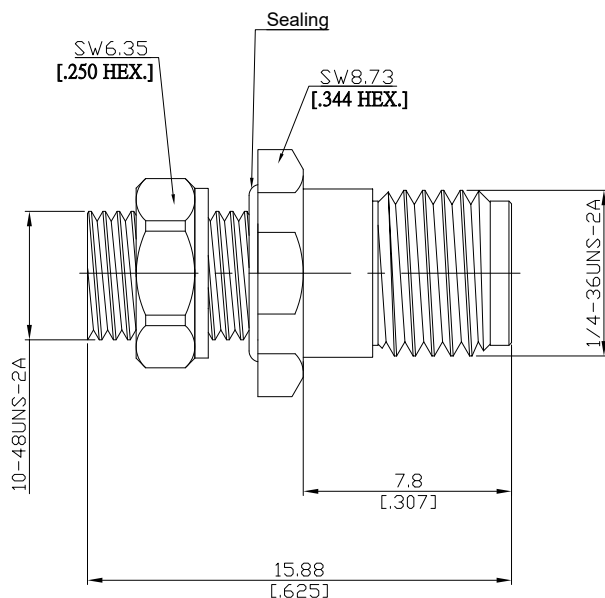


Bulkhead adaptor jack/jack
SMP smooth bore plug (male) / Precision SMA jack (female)

AD-PS1PCA25A-BH/9X-9X



All dimensions are in mm [inch]

Tolerances according to DIN ISO 2768-mH

Interface

SMP (smooth bore) according to

MIL-STD-348A/326.4

Precision SMA according to

IEC 60169-15; MIL-C-39012; MIL-STD-348A/310

Electrical Data

Impedance

50 Ω

Frequency

DC to 26.5 GHz

VSWR (Return Loss)

Typ. 1.15 (23.13 dB)

Insertion Loss

≤ 0.06 x √F (GHz) dB

Mechanical Data

Coupling mechanisms

SMP (Snap-on); Precision SMA (Screw-lock)

Weight

N/A

Environmental Data

Temperature range

-65°C to +125°C

RoHS

compliant

Material And Plating

Piece Parts (SMP)	Material	Plating
Centre contact	Beryllium Copper	Gold plating(Nickel underplated)
Body	Stainless Steel	Passivated
Insulator	PTFE	
Fastening nut	Stainless Steel	Passivated
Washer	Brass	Copper-Tin-Zinc Alloy
Piece Parts (Precision SMA)	Material	Plating
Centre contact	Beryllium Copper	Gold plating(Nickel underplated)
Body	Stainless Steel	Passivated
Insulator	PTFE	

Packing

Single or 100

Related Document

Mounting Dimension

MD112