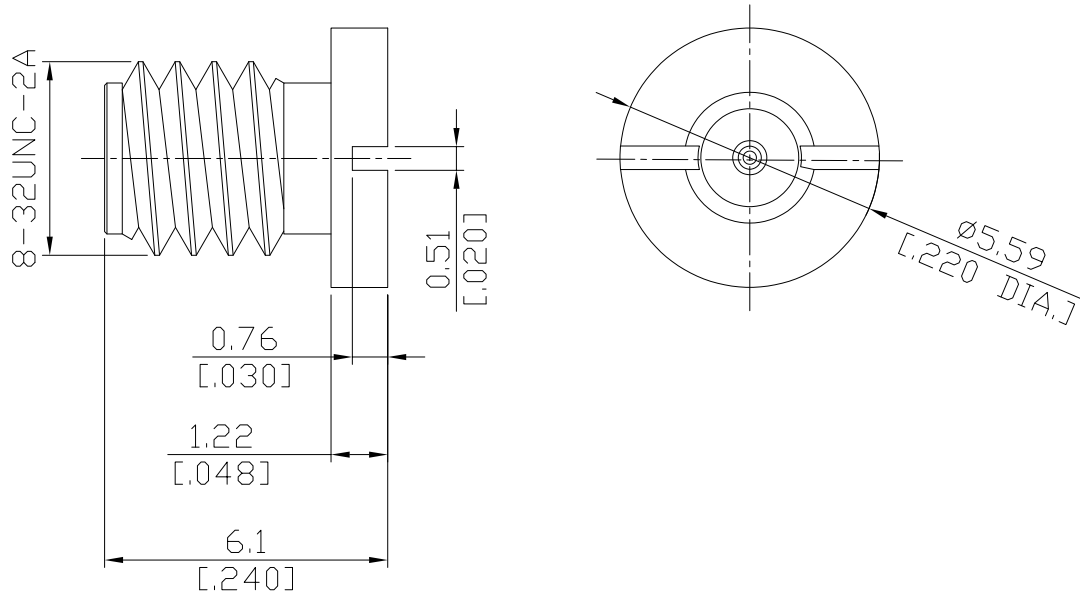


Thread-in Adaptor plug/plug
SMPM plug (male - full detent) / SMPM plug (male - full detent)

AD-PMF1PMF15A-BH/9X-9X



All dimensions are in mm [inch]
Tolerances according to DIN ISO 2768-mH

Interface

According to MIL-STD-348B/328-2

Electrical Data

Impedance 50 Ω
Frequency DC to 60 GHz

Mechanical Data

Coupling mechanisms SMPM (Snap-lock)
Weight N/A

Environmental Data

Temperature range -55°C to +165°C
RoHS compliant

Material And Plating

Piece Parts (SMPM - Full Detent)	Material	Plating
Centre contact	Beryllium Copper	Gold plating(Nickel underplated)
Body	Stainless Steel	Passivated
Insulator	PEI	

Piece Parts (SMPM - Full Detent)	Material	Plating
Centre contact	Beryllium Copper	Gold plating(Nickel underplated)
Body	Stainless Steel	Passivated
Insulator	PEI	

Packing

Single or 100