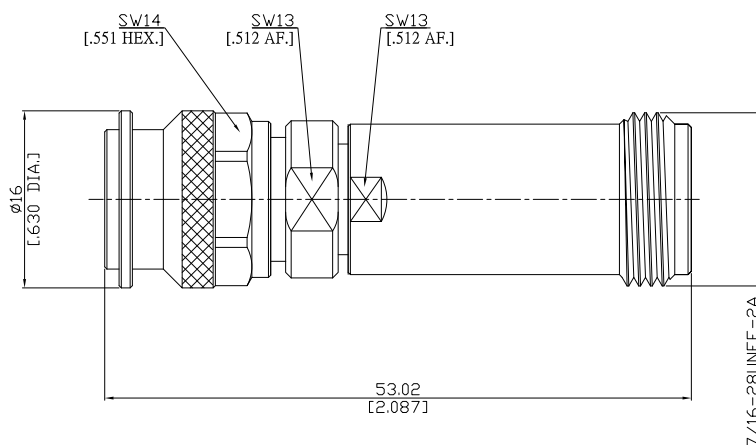


Adaptor plug/jack

Precision TNC plug (male) / Precision N jack (female)

AD-PCT1PCN25A/9XX-9X



All dimensions are in mm [inch]

Tolerances according to DIN ISO 2768-mH

Interface

Precision TNC according to

IEC 60169-26

Precision N according to

IEC 60169-16; MIL-STD 348A/402

Electrical Data

Impedance

50 Ω

Frequency

DC to 18 GHz

VSWR (Return Loss)

1.30 (≥ 17.69 dB)

Insertion Loss

≤ 0.1 x √F [GHz] dB

Mechanical Data

Coupling mechanisms

Precision TNC (Screw-lock); Precision N (Screw-lock)

Weight

N/A

Environmental Data

Temperature range

-55°C to +100°C

RoHS

compliant

Material And Plating

Piece Parts (Precision TNC)	Material	Plating
Centre contact	Beryllium Copper	Gold plating(Nickel underplated)
Body	Stainless Steel	Passivated
Insulator	PS	
Gasket	Silicone rubber	
Coupling nut	Stainless Steel	Passivated

Piece Parts (Precision N)	Material	Plating
Centre contact	Beryllium Copper	Gold plating(Nickel underplated)
Body	Stainless Steel	Passivated
Insulator	PS	
Gasket	Silicone rubber	
Coupling nut	Stainless Steel	Passivated

Packing

Single or 100