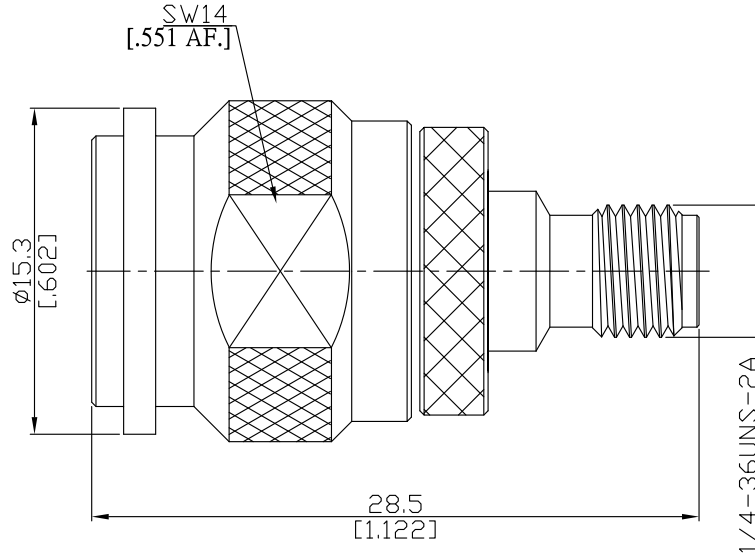


Adaptor plug/jack  
Precision TNC plug (male) / SMA jack (female)

AD-PCT1A25B/9XX-9X



All dimensions are in mm [inch]  
Tolerances according to DIN ISO 2768-mH

#### Interface

Precision TNC according to IEC 60169-26  
SMA according to IEC 60169-15; MIL-STD-348A/310

#### Electrical Data

Impedance 50  $\Omega$   
Frequency DC to 18 GHz  
VSWR (Return Loss)  $\leq 1.30$  ( $\geq 17.69$  dB)  
Insertion Loss  $\leq 0.1 \times \sqrt{F}$  [GHz] dB

#### Mechanical Data

Coupling mechanisms Precision TNC (Screw-lock); SMA (Screw-lock)  
Weight N/A

#### Environmental Data

Temperature range -65°C to +165°C  
RoHS compliant  
Thermal shock MIL-STD-202; Method 107; Condition B  
Corrosion MIL-STD-202; Method 101; Condition B  
Moisture resistance MIL-STD-202; Method 106  
Vibration MIL-STD-202; Method 204; Condition D  
Shock MIL-STD-202; Method 213; Condition I

Adaptor plug/jack  
Precision TNC plug (male) / SMA jack (female)

AD-PCT1A25B/9XX-9X

**Material And Plating**

Piece Parts (Precision TNC)	Material	Plating
Centre contact	Beryllium Copper	Gold plating (Nickel underplated)
Body	Stainless Steel	Passivated
Insulator	PTFE	
Gasket	Silicone Rubber	
Coupling nut	Stainless Steel	Passivated

Piece Parts (SMA)	Material	Plating
Centre contact	Beryllium Copper	Gold plating (Nickel underplated)
Body	Stainless Steel	Passivated
Insulator	PTFE	

**Packing**

Single or 100