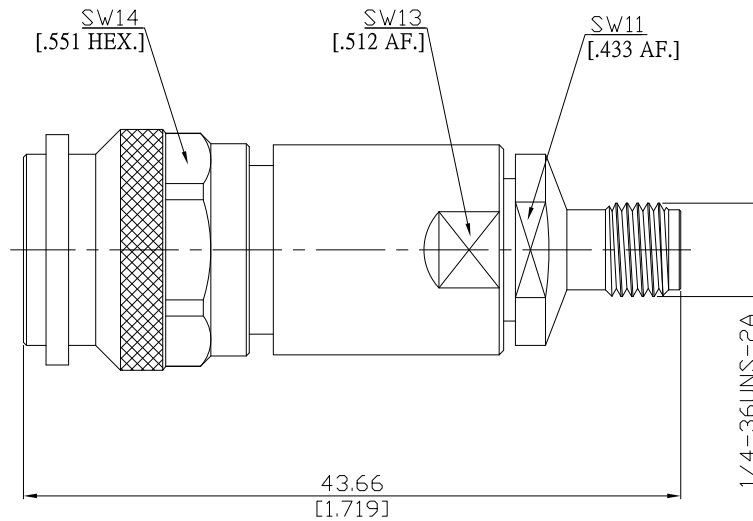


Precision TNC plug (male) to SMA jack (female)  
Adapter

AD-PCT1A25A/9XX-9X



All dimensions are in mm [inch]  
Tolerances according to DIN ISO 2768-mH

**Interface**

Precision TNC according to IEC 60169-26  
SMA according to IEC 60169-15; MIL-C-39012; MIL-STD-348A/310

**Electrical Data**

Impedance 50 Ω  
Frequency DC to 18 GHz  
VSWR (Return Loss) ≤ 1.20 (≥ 20.83 dB)  
Insertion Loss ≤ 0.05 x √F (GHz) dB

**Mechanical Data**

Coupling mechanisms Precision TNC (Screw-lock) ; SMA (Screw-lock)  
Weight N/A

**Environmental Data**

Temperature range -55°C to +100°C  
RoHS compliant

**Material And Plating**

Piece Parts (Precision TNC)	Material	Plating
Centre contact	Beryllium Copper	Gold plating(Nickel underplated)
Body	Stainless Steel	Passivated
Insulator	PTFE/PS	
Gasket	Silicone rubber	
Coupling nut	Stainless Steel	Passivated
Piece Parts (SMA)	Material	Plating
Centre contact	Beryllium Copper	Gold plating(Nickel underplated)
Body	Stainless Steel	Passivated
Insulator	PTFE	

**Packing**

Single or 100