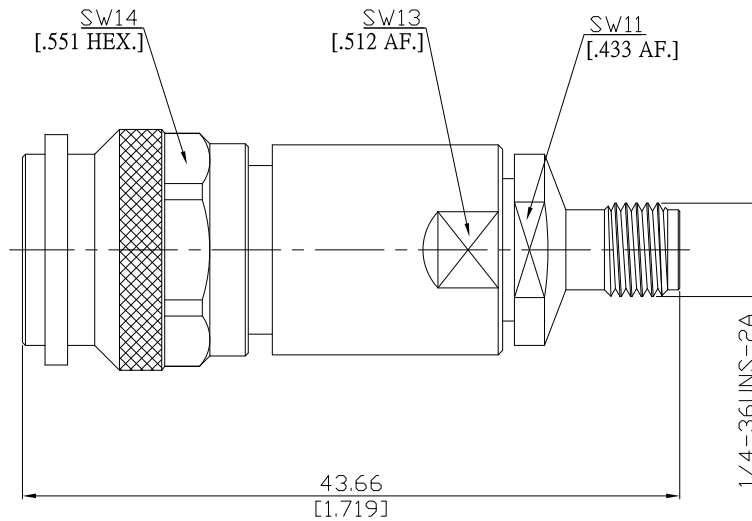




Precision TNC plug (male) to SMA jack (female)  
Adapter

AD-PCT1A25A/9XX-91



All dimensions are in mm [inch]  
Tolerances according to DIN ISO 2768-mH

**Interface**

Precision TNC according to IEC 60169-26  
SMA according to MIL-STD-348A/310; IEC 60169-15

**Electrical Data**

Impedance 50 Ω  
Frequency DC to 18 GHz  
VSWR (Return Loss) ≤ 1.20 (≥ 20.83 dB)  
Insertion Loss ≤ 0.05 x √F (GHz) dB

**Mechanical Data**

Coupling mechanisms Precision TNC (Screw-lock) ; SMA (Screw-lock)  
Weight N/A

**Environmental Data**

Temperature range -55°C to +100°C  
RoHS compliant

**Material And Plating**

Piece Parts (Precision TNC)	Material	Plating
Centre contact	Beryllium Copper	Gold plating(Nickel underplated)
Body	Stainless Steel	Passivated
Insulator	PTFE/PS	
Gasket	Silicone rubber	
Coupling nut	Stainless Steel	Passivated

Piece Parts (SMA)	Material	Plating
Centre contact	Beryllium Copper	Gold plating(Nickel underplated)
Body	Brass	Gold plating(Nickel underplated)
Insulator	PTFE	

**Packing**

Single or 100

The facts and figures herein are carefully compiled to the best of our knowledge, but they are intended for general informational purposes only. In the effort to improve our products, we reserve the right to make changes judged to be necessary.

Rev.:  
Date:  
19/11/10

Rosnol RF/Microwave Technology  
www.rosnol.com ; info@rosnol.com  
Phone:+886-3-463-5095  
Fax:+886-3-463-5952

Page  
1/1