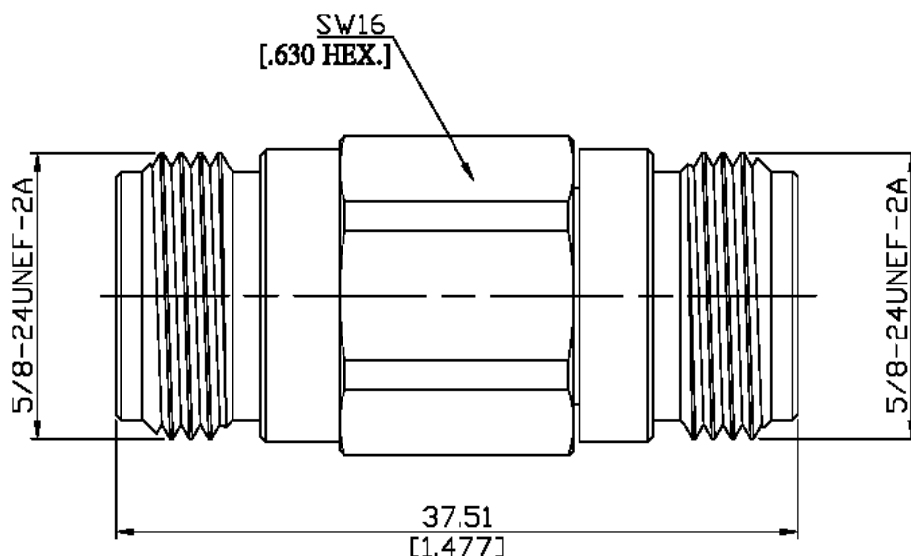


Adaptor jack/jack
Precision N jack (female) / Precision N jack (female)

AD-PCN2PCN25B/93-93



All dimensions are in mm [inch]

Tolerances according to DIN ISO 2768-mH

Interface

According to

IEC 60169-16; CECC 22210; MIL-STD 348A/402

Electrical Data

Impedance	50 Ω
Frequency	DC to 18 GHz
VSWR (Return Loss)	≤ 1.15 (≥ 23.13 dB)
Insertion Loss	≤ 0.1 x √F (GHz) dB

Mechanical Data

Coupling mechanisms	Screw-lock
Weight	N/A

Environmental Data

Temperature range	-65°C to +165°C
RoHS	compliant

Material And Plating

Piece Parts (Precision N)	Material	Plating
Centre contact	Beryllium Copper	Gold plating(Nickel underplated)
Body	Brass	Nickel
Insulator	PTFE	

Piece Parts (Precision N)	Material	Plating
Centre contact	Beryllium Copper	Gold plating(Nickel underplated)
Body	Brass	Nickel
Insulator	PTFE	

Packing

Single or 100