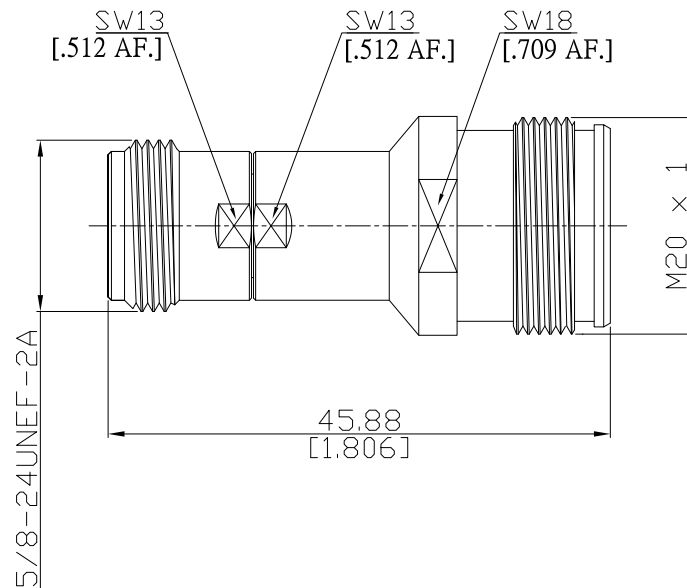


**Adaptor Jack / Jack**  
Precision N jack (female) / 4.3-10 jack (female)

**AD-PCN2431025A/9X-94**



All dimensions are in mm [inch]  
Tolerances according to DIN ISO 2768-mH

**Interface**

4.3/10 according to IEC 61169-54  
Precision N according to IEC 60169-16; IEEE Std 287-2007; MIL-STD 348A/304

**Electrical Data**

Impedance 50 Ω  
Frequency DC to 12 GHz  
VSWR (Return Loss)  $\leq 1.13$  ( $\geq 24.3$  dB)  
Insertion Loss  $\leq 0.04 \times \sqrt{F}$  (GHz) dB

**Mechanical Data**

Coupling mechanisms Precision N (Screw-lock); 4.3-10 (Screw-lock)  
Weight 0.0190 kg

**Environmental Data**

Temperature range -65°C to +165°C  
RoHS compliant

**Material And Plating**

Piece Parts (Precision N)	Material	Plating
Centre contact	Beryllium Copper	Gold plating(Nickel underplated)
Body	Stainless Steel	Passivated
Insulator	PTFE	
Piece Parts (4.3-10)	Material	Plating
Centre contact	Beryllium Copper	Gold plating(Nickel underplated)
Body	Brass	Copper-Tin-Zinc Alloy
Insulator	PTFE	

**Packing**

Single or 100