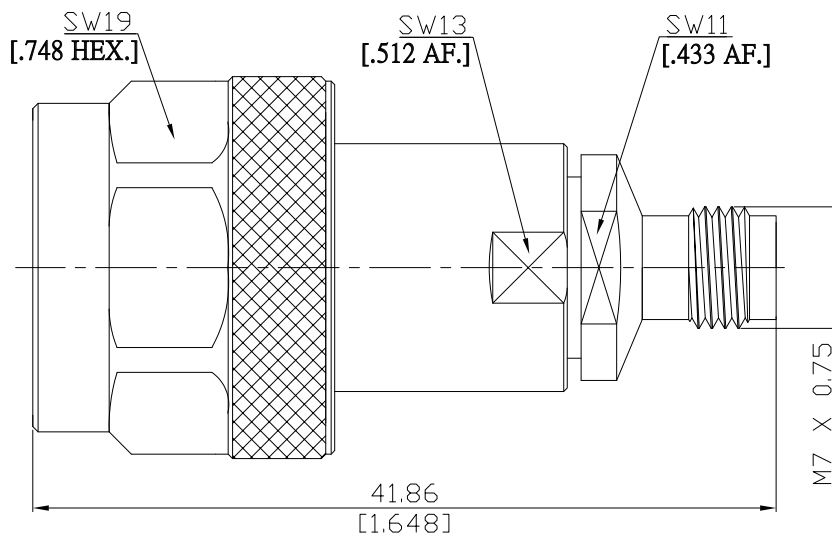


Adaptor plug/jack
Precision N plug (male) / 2.4mm jack (female)

AD-PCN1Q25A/9XX-9X



All dimensions are in mm [inch]

Tolerances according to DIN ISO 2768-mH

Interface

Precision N according to
2.4mm according to

IEC 60169-16; CECC 22 210; MIL-STD 348A/402
IEC 61169-40

Electrical Data

Impedance 50 Ω
Frequency DC to 18 GHz
VSWR (Return Loss) ≤ 1.15 (≥ 23.13 dB)
Insertion Loss ≤ 0.04 x √F [GHz] dB

Mechanical Data

Coupling mechanisms Precision N (Screw-lock); 2.4mm (Screw-lock)
Weight N/A

Environmental Data

Temperature range -60°C to +100°C
RoHS compliant

Material And Plating

Piece Parts (Precision N)	Material	Plating
Centre contact	Beryllium Copper	Gold plating(Nickel underplated)
Body	Stainless Steel	Passivated
Insulator	PS	
Gasket	Silicone Rubber	
Coupling nut	Stainless Steel	Passivated
Piece Parts (2.4mm)	Material	Plating
Centre contact	Beryllium Copper	Gold plating(Nickel underplated)
Body	Stainless Steel	Passivated
Insulator	PS	

Packing

Single or 100