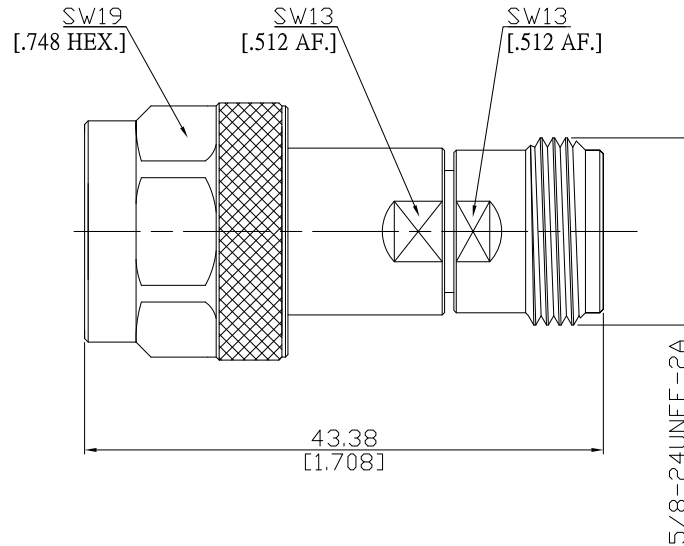


Precision N Plug (Male) to Precision N Jack (Female) Adapter

AD-PCN1PCN25A/9XX-9X



All dimensions are in mm [inch]

Tolerances according to DIN ISO 2768-mH

**Interface**

According to IEC 61169-16; MIL-STD 348A/402; IEEE Std 287

**Electrical Data**

Impedance 50  $\Omega$   
 Frequency DC to 18 GHz  
 VSWR (Return Loss)  $\leq 1.15$  ( $\geq 23.13$  dB)  
 Insertion Loss  $\leq 0.05 \times \sqrt{F}$  (GHz) dB

**Mechanical Data**

Coupling mechanisms Screw-lock  
 Weight 0.0569 kg

**Environmental Data**

Temperature range -60°C to +100°C  
 RoHS compliant

**Material And Plating**

Piece Parts (Precision N)	Material	Plating
Centre contact	Beryllium Copper	Gold plating(Nickel underplated)
Body	Stainless Steel	Passivated
Insulator	PS	
Coupling nut	Stainless Steel	Passivated

Piece Parts (Precision N)	Material	Plating
Centre contact	Beryllium Copper	Gold plating(Nickel underplated)
Body	Stainless Steel	Passivated
Insulator	PS	

**Packing**

Single or 100