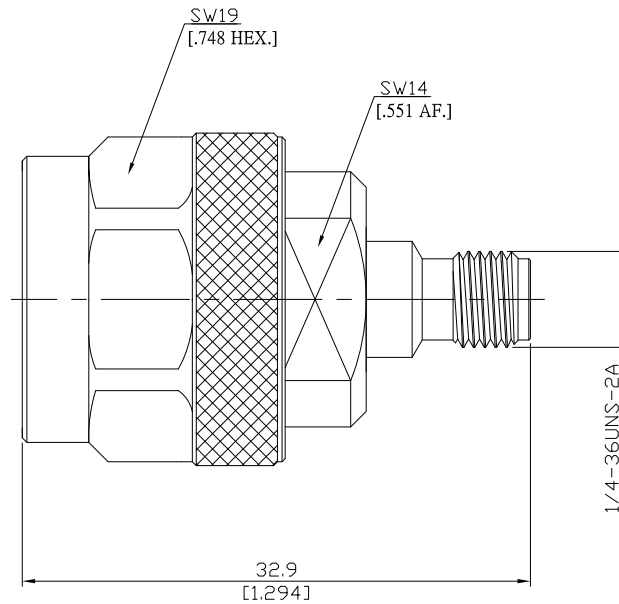


Precision N Plug (Male) to SMA Jack (Female)
Adapter, DC-18GHz, VSWR1.15

AD-PCN1A25B/944-94



All dimensions are in mm [inch]
Tolerances according to DIN ISO 2768-mH

Interface

Precision N according to IEC 60169-16; MIL-STD-348B/402
SMA according to IEC 60169-15; MIL-STD-348B/310

Electrical Data

Impedance 50 Ω
Frequency DC to 18 GHz
VSWR (Return Loss) ≤ 1.15 (≥ 23.1 dB)
Insertion Loss ≤ 0.04 x √F [GHz] dB

Mechanical Data

Coupling mechanisms Precision N (Screw-lock); SMA (Screw-lock)
Weight N/A

Environmental Data

Temperature range -65°C to +165°C
RoHS compliant

Material And Plating

Piece Parts (Precision N)	Material	Plating
Centre contact	Beryllium Copper	Gold plating(Nickel underplated)
Body	Brass	Copper-Tin-Zinc Alloy
Insulator	PTFE	
Gasket	Silicone Rubber	
Coupling nut	Brass	Copper-Tin-Zinc Alloy
Piece Parts (SMA)	Material	Plating
Centre contact	Beryllium Copper	Gold plating(Nickel underplated)
Body	Brass	Copper-Tin-Zinc Alloy
Insulator	PTFE	

Packing

Single or 100