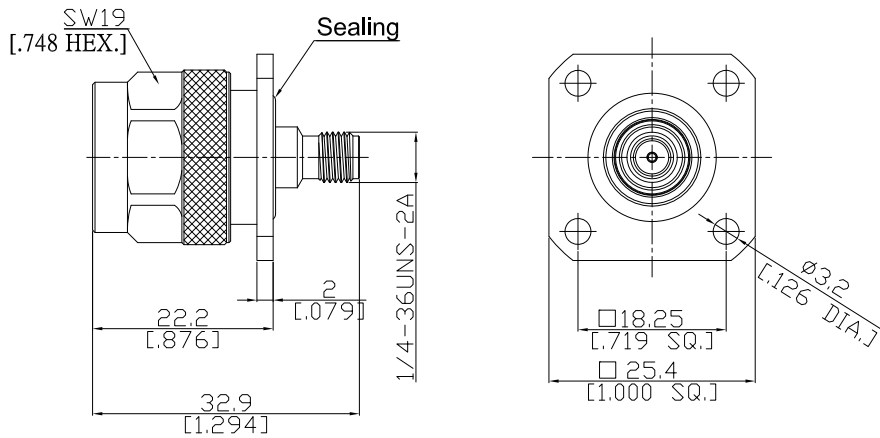


**Panel Adaptor Plug / Jack**  
Precision N plug (male) / SMA jack (female)

**AD-PCN1A25A-PF/HXX-9X**



All dimensions are in mm [inch]  
Tolerances according to DIN ISO 2768-mH

**Interface**

According to IEC 60169-16; MIL-C-39012; MIL-STD-348A/304  
IEC 60169-15; MIL-C-39012; MIL-STD-348A/310

**Electrical Data**

Impedance 50 Ω  
Frequency DC to 18 GHz  
VSWR (Return Loss) ≤ 1.15 (≥ 23.1 dB)  
Insertion Loss ≤ 0.04 × √F (GHz) dB

**Mechanical Data**

Coupling mechanisms Precision N (Screw-lock) ; SMA (Screw-lock)  
Weight 0.0281 kg

**Environmental Data**

Temperature range -65°C to +165°C  
RoHS compliant

**Material And Plating**

Piece Parts (Precision N)	Material	Plating
Centre contact	Phosphor Bronze	Gold plating(Nickel underplated)
Body	Stainless Steel	Passivated
Insulator	PTFE	
Gasket	Silicone Rubber	
Coupling nut	Stainless Steel	Passivated
Piece Parts (SMA)	Material	Plating
Centre contact	Beryllium Copper	Gold plating(Nickel underplated)
Body	Stainless Steel	Passivated
Insulator	PTFE	
Gasket	Silicone Rubber	

**Packing**

Single or 100

**Related Document**

Mounting Dimension MD16