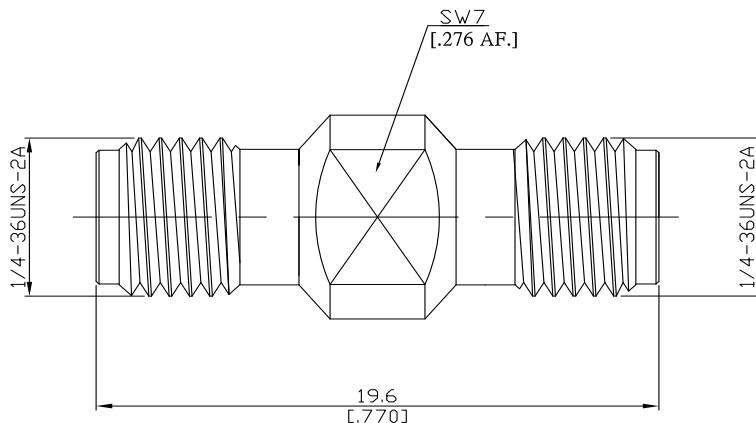


Adaptor jack/jack  
Precision SMA jack (female) / Precision SMA jack (female)

AD-PCA2PCA25B/9X-9X



All dimensions are in mm [inch]  
Tolerances according to DIN ISO 2768-mH

#### Interface

According to IEC 60169-15; MIL-STD-348B/310

#### Electrical Data

Impedance 50 Ω  
Frequency DC to 27 GHz  
VSWR (Return Loss) ≤ 1.20 (≥ 20.83 dB)  
Insertion Loss ≤ 0.05 × √F (GHz) dB

#### Mechanical Data

Coupling mechanisms Screw-lock

#### Environmental Data

Temperature range -55°C to +165°C  
RoHS compliant

#### Material And Plating

Piece Parts (SMA)	Material	Plating
Centre contact	Beryllium Copper	Gold plating (Nickel underplated)
Body	Stainless Steel	Passivated
Insulator	PTFE/PEI	

Piece Parts (SMA)	Material	Plating
Centre contact	Beryllium Copper	Gold plating (Nickel underplated)
Body	Stainless Steel	Passivated
Insulator	PTFE/PEI	

#### Packing

Single or 100