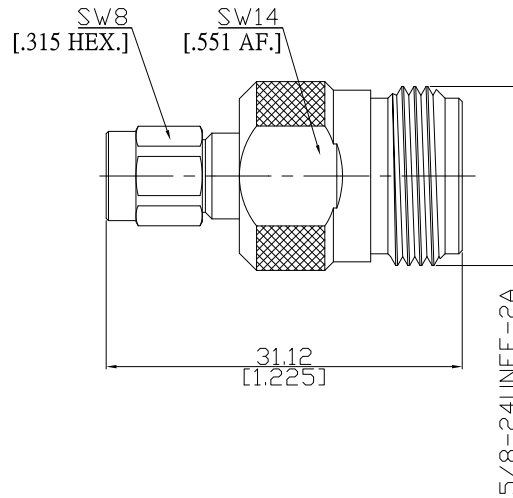




**Adaptor Plug / Jack**  
3.5mm plug (male) / Precision N jack (female)

AD-PC1PCN25B/9XX-9X



All dimensions are in mm [inch]

Tolerances according to DIN ISO 2768-mH

**Interface**

3.5mm according to

IEC 60169-23; IEEE Std 287-2007

Precision N according to

IEC 61169-16; MIL-STD-348A/402

**Electrical Data**

Impedance

50 Ω

Frequency

DC to 18 GHz

VSWR (Return Loss)

≤ 1.15 (≥ 23.1 dB)

Insertion Loss

≤ 0.04 × √F (GHz) dB

**Mechanical Data**

Coupling mechanisms

3.5mm (Screw-lock); Precision N (Screw-lock)

**Environmental Data**

Temperature range

-65°C to +100°C

RoHS

compliant

**Material And Plating**

Piece Parts (RPC3.5)	Material	Plating
Centre contact	Beryllium Copper	Gold plating(Nickel underplated)
Body	Stainless Steel	Passivated
Insulator	PS	
Gasket	Silicone Rubber	
Coupling nut	Stainless Steel	Passivated
Piece Parts (Precision N)	Material	Plating
Centre contact	Beryllium Copper	Gold plating(Nickel underplated)
Body	Stainless Steel	Passivated
Insulator	PS	

**Packing**

Single or 100