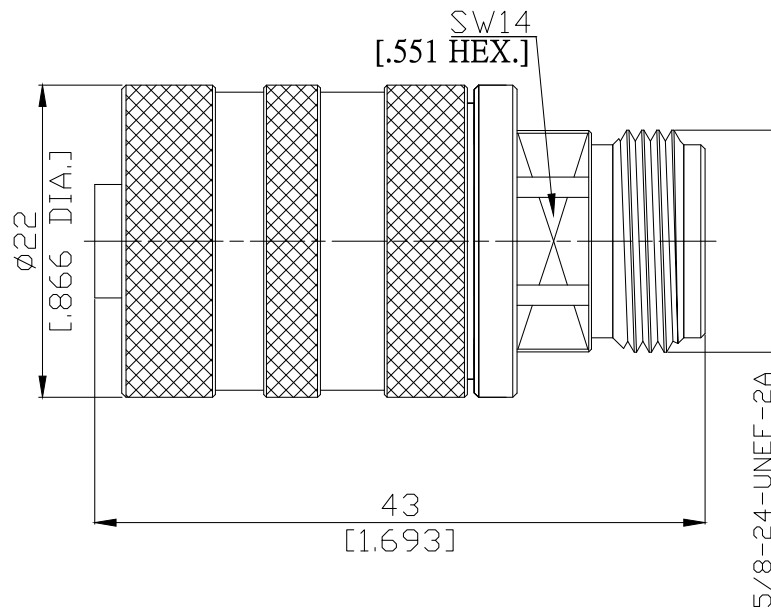




Adaptor Plug / Jack
N Snap-On plug (male) / N jack (female)

AD-NQ1N25B/H44-94



All dimensions are in mm [inch]

Tolerances according to DIN ISO 2768-mH

Interface

According to IEC 61169-16; MIL-C-39012; MIL-STD-348A/304; CECC 22210

Electrical Data

Impedance 50 Ω
 Frequency DC to 11 GHz
 VSWR (Return Loss) ≤ 1.20 (≥ 20.8 dB)
 Insertion Loss $\leq 0.04 \times \sqrt{F}$ (GHz) dB

Mechanical Data

Coupling mechanisms N Snap-On (Snap-lock); N (Screw-lock)
 Weight N/A
 Mating cycles ≥ 500 matings

Environmental Data

Temperature range -65°C to $+165^{\circ}\text{C}$
 RoHS compliant

Material And Plating

Piece Parts (N Snap-On)	Material	Plating
Centre contact	Phosphor Bronze	Gold plating(Nickel underplated)
Body	Brass	Copper-Tin-Zinc Alloy
Insulator	PTFE	
Coupling nut	Brass	Copper-Tin-Zinc Alloy
Piece Parts (N)	Material	Plating
Centre contact	Beryllium Copper	Gold plating(Nickel underplated)
Body	Brass	Copper-Tin-Zinc Alloy
Insulator	PTFE	

Packing

Single or 100