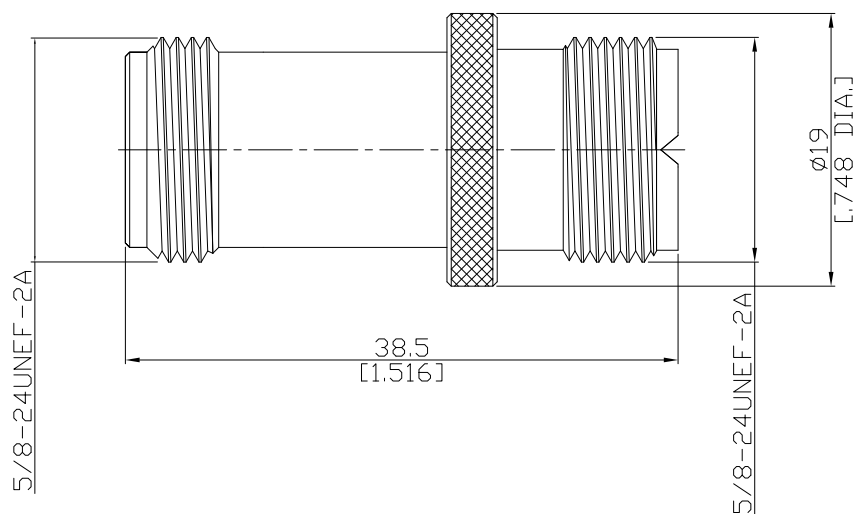


Adaptor Jack / Jack
N jack (female) / UHF jack (female)

AD-N2U25A/94-94



All dimensions are in mm [inch]
Tolerances according to DIN ISO 2768-mH

Interface

N side according to IEC 61169-16; MIL-C-39012; MIL-STD-348A/304
UHF side according to IEC 60169-12

Electrical Data

Impedance N (50 Ω) ; UHF (non-constant)
Frequency DC to 300 MHz

Mechanical Data

Coupling mechanisms N (Screw-lock) ; UHF (Screw-lock)
Weight N/A

Environmental Data

Temperature range -55°C to +165°C
RoHS compliant

Material And Plating

Piece Parts (N)	Material	Plating
Centre contact	Beryllium Copper	Gold plating(Nickel underplated)
Body	Brass	Copper-Tin-Zinc Alloy
Insulator	PTFE	
Piece Parts (UHF)	Material	Plating
Centre contact	Beryllium Copper	Gold plating(Nickel underplated)
Body	Brass	Copper-Tin-Zinc Alloy
Insulator	PTFE	

Packing

Single or 100