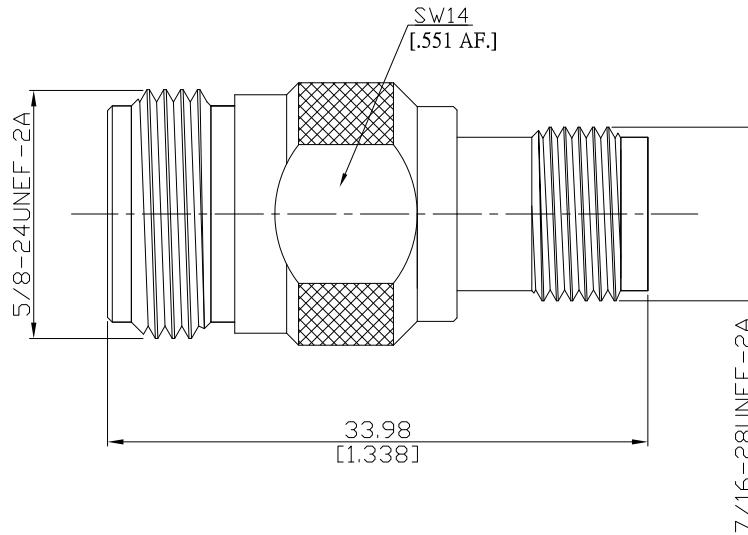


Adaptor jack/jack
N jack (female) / TNC jack (female)

AD-N2T25A/H4-H4



All dimensions are in mm [inch]
Tolerances according to DIN ISO 2768-mH

Interface

N according to IEC 61169-16; MIL-STD-348B/304
TNC according to IEC 60169-17; MIL-STD-348B/313

Electrical Data

Impedance 50 Ω
Frequency DC to 11 GHz
VSWR (Return Loss) ≤ 1.20 (≥ 20.8 dB)
Insertion Loss ≤ 0.05 x √F [GHz] dB

Mechanical Data

Coupling mechanisms N (Screw-lock); TNC (Screw-lock)
Weight 0.0533 kg

Environmental Data

Temperature range -65°C to +165°C
RoHS compliant

Material And Plating

Piece Parts (N)	Material	Plating
Centre contact	Phosphor Bronze	Gold plating(Nickel underplated)
Body	Brass	Copper-Tin-Zinc Alloy
Insulator	PTFE	
Piece Parts (TNC)	Material	Plating
Centre contact	Phosphor Bronze	Gold plating(Nickel underplated)
Body	Brass	Copper-Tin-Zinc Alloy
Insulator	PTFE	

Packing

Single or 100